

MAQUET

MOBILE UNIVERSAL OPERATING TABLE ALPHAMAXX 1133.12 AND 1133.22

SURGICAL WORKPLACES





MEETING ALL REQUIREMENTS THE MULTIFUNCTIONAL OPERATING TABLE ALPHAMAXX MAQUET – THE GOLD STANDARD



Developments in dialogue with doctors: This is one of the basic principles which has made MAQUET the world market leader for operating tables. Close collaboration and many years of experience have led to tried and tested products which facilitate the work in the operating room and help to increase the safety and comfort of the patient.

Best example: the ALPHAMAXX. Can withstand even extreme loads in every position. The modular structure allows adaptation to the patient's body size and in no time at all it can be equipped for any surgical discipline. A longitudinal shift of up to 460 mm makes the new ALPHAMAXX version even more versatile.

MAQUET – The Gold Standard.

THE S-CLASS AMONG MOBILE OPERATING TABLES BOTH EXTREMELY LOADABLE AND VERSATILE

Longitudinal shift:

The new longitudinal shift of up to 460 mm enables optimum access with C-arm without repositioning or reverse positioning of the patient. Each selected fluoroscopy point may easily be moved in front of or behind the column and ensures comfortable access to the patient – from initiation to surgery.



Extreme load capacity:

The need for operating tables with higher load capacity is increasing worldwide. With a maximum capacity for 450 kg patient weight, the MAQUET ALPHAMAXX offers highest safety and stability.



Easy Click:

The new mounting point allows the quick use of a broad range of socket-mounted modules. This is how the ALPHAMAXX can easily and comfortably be adapted to a wide variety of surgical tasks and patient heights.



Reverse Mode:

The reverse mode allows for patient positioning rotated by 180°. Various positioning devices may be adapted at the head and foot end, as required.



Autodrive:

The electric autodrive in the base ensures gentle start-up and safety braking functions for easy and safe movement of the ALPHAMAXX on four hydraulic double swivel castors. Pressure load on the floor cover is reduced.

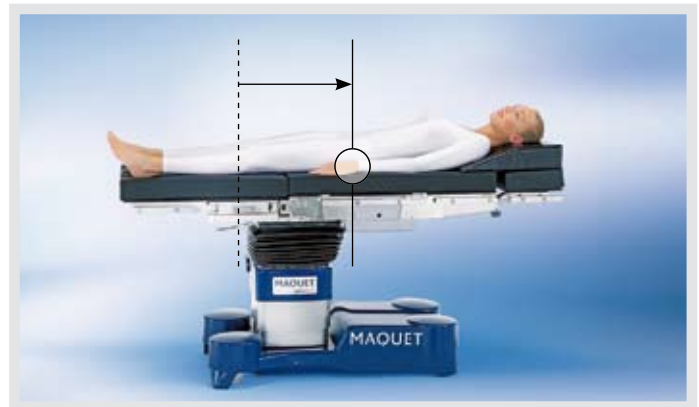
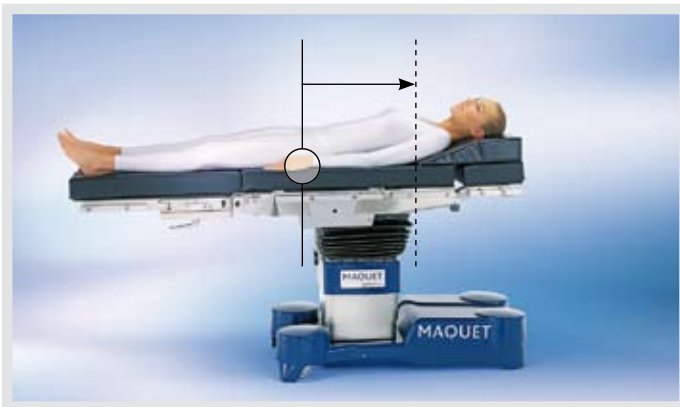




LONGITUDINAL SHIFT OF UP TO 460 MM AN EXAMPLE OF HIGHEST FLEXIBILITY

Safe and time-efficient: The ALPHAMAXX may be prepared for all surgical disciplines in no time at all. The motorised longitudinal shift of up to 460 mm and the use of carbon-fibre modules provide free 360° use of the C-arm, without having

to move the patient. The height adjustment from 594 to 1056 mm permits ergonomic working positions, both seated and standing.



Maximum and minimum heights of the ALPHAMAXX, for comfortable working, both seated and standing



The positioning device for operations on the spinal column with carbon-fibre traction bars permits, e.g., unrestricted C-arm access for 360° fluoroscopy in prone and supine position in spinal column surgery. The C-arm can be used over the entire urogenital tract in urological procedures.

EASY CLICK AND JOINT ADAPTER ACCESSORIES FOR UNLIMITED MODULARITY

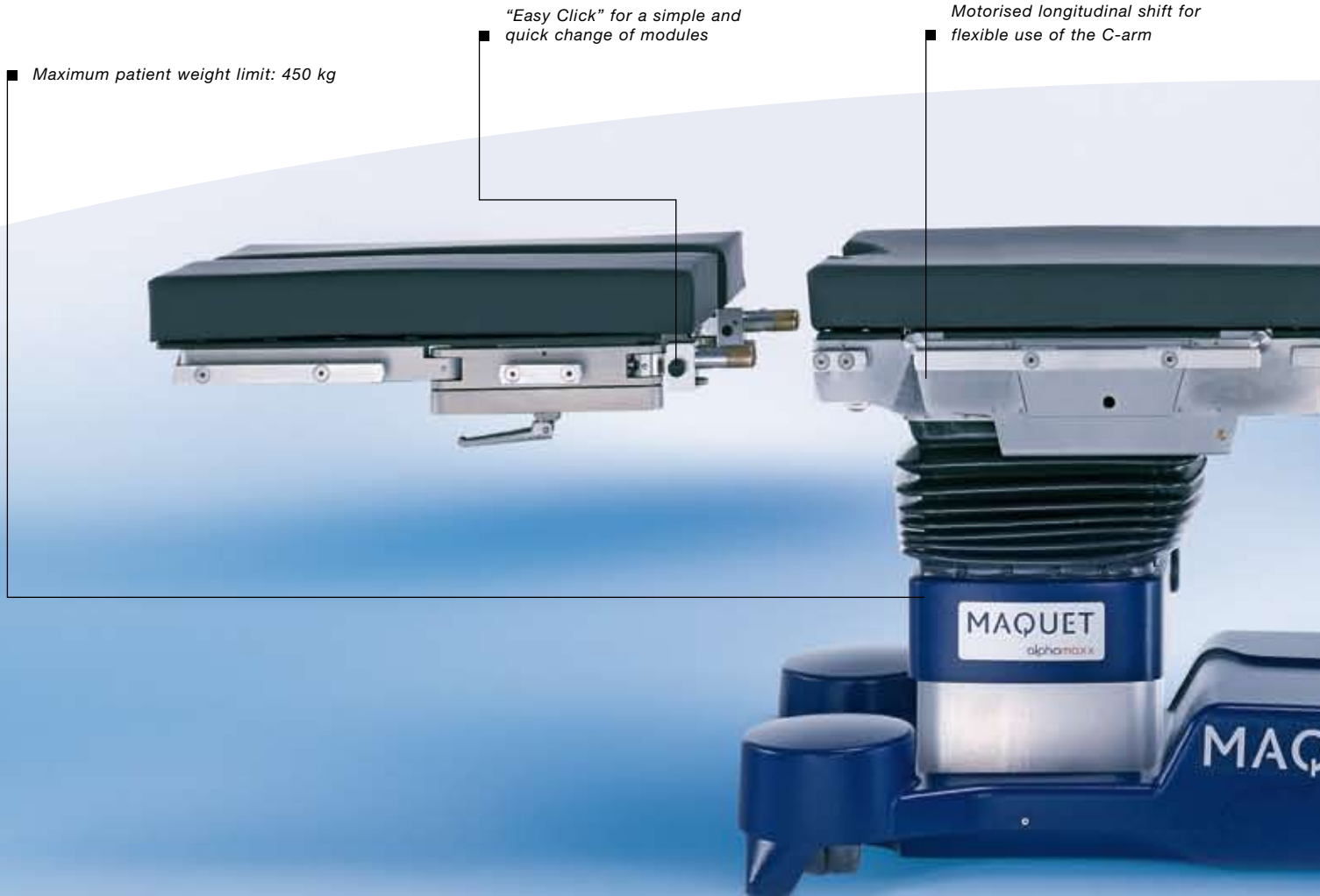
Adaptable: The modular design of the table top is the basis for the great adaptability to specific surgical disciplines and patient statures. The mounting points on head and foot end

with “Easy Click” lock simplify the quick exchange of socket-mounted modules without time-consuming screwing.



Identical mounting point geometry provides more flexibility for patient positioning. Leg and back plates may easily be exchanged for reverse positioning.

The various modules can be exchanged easily and safely in no time at all.



■ Maximum patient weight limit: 450 kg

“Easy Click” for a simple and quick change of modules

Motorised longitudinal shift for flexible use of the C-arm

Safety-oriented: The electrohydraulically driven leg plates may be adjusted individually or synchronously. An automatic component recognition in the leg plate mounting point

enhances safe use. Depending on the table top position the electronics monitor adjustment ranges to prevent collision.



The leg plates are adjusted electrohydraulically – individually or synchronously, as required.



Mounting point without adapter for socket-mounted modules



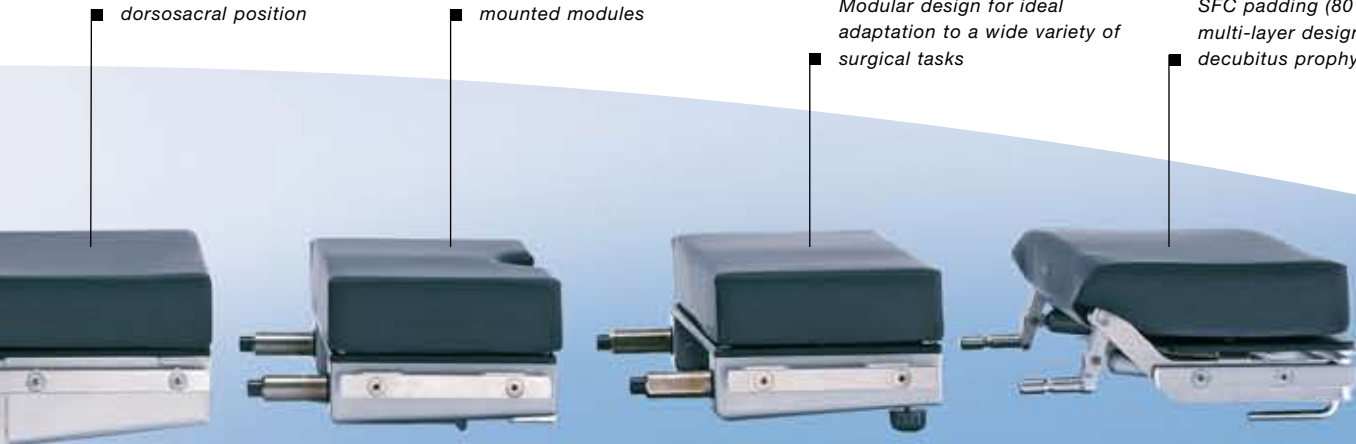
Mounting point with mounted joint adapter

Lower back plate with gynaecological cutout for reverse positioning of the patient in dorsosacral position

Expanded modularity: new mounting point for socket-mounted modules

Modular design for ideal adaptation to a wide variety of surgical tasks

SFC padding (80 mm) in multi-layer design for ideal decubitus prophylaxis



REVERSE MODE FLEXIBLE PATIENT POSITIONING

Versatile: The examples show different possibilities for using normal and reverse positioning in various surgical disciplines. Using the positioning device for operations on the spinal column with carbon-fibre traction bars (adapted to the leg plate mounting point) permits, e.g., extremely free positioning for

intraoperative fluoroscopy and excellent access for the surgical team. The lower back plate has a gynaecological cutout for reverse positioning of the patient in dorsosacral position. There is no longer a need for an additionally mounted seat plate extension. The C-arm can easily be used in urological surgery.

Normal Mode:



Free access with the C-arm in cardiovascular surgery over the entire length of the patient

Reverse Mode:



Ideal patient positioning for initiation of anaesthesia in gynaecological and urological surgery



Rectal positioning on the special positioning device for optimum surgical access



Lower back plate with gynaecological cutout for urological surgery without seat plate extension



Beach Chair positioning in MIS gastric procedures, where gravity supports the required exposition of the surgical field



360° for intraoperative fluoroscopy and unlimited access for the surgical team at the positioning device for operations on the spinal column



AUTODRIVE SAFE AND MOBILE, EVEN WITH HEAVY LOAD

Trendsetting: Even with high load, ALPHAMAXX can easily be moved to any desired position. Four hydraulically actuated double swivel castors raise the operating table gently.

An electric autodrives with gentle start-up and safety braking functions make for additional comfort and convenience.



Safe three-point stance – even in the event of uneven floors



Mobility on double swivel castors





Control using corded hand control, IR remote control and foot switch, in case of emergency also using the override panel

ACCESSORY AND USER COMFORT



The charging station for the IR remote control is integrated into the wall control panel.



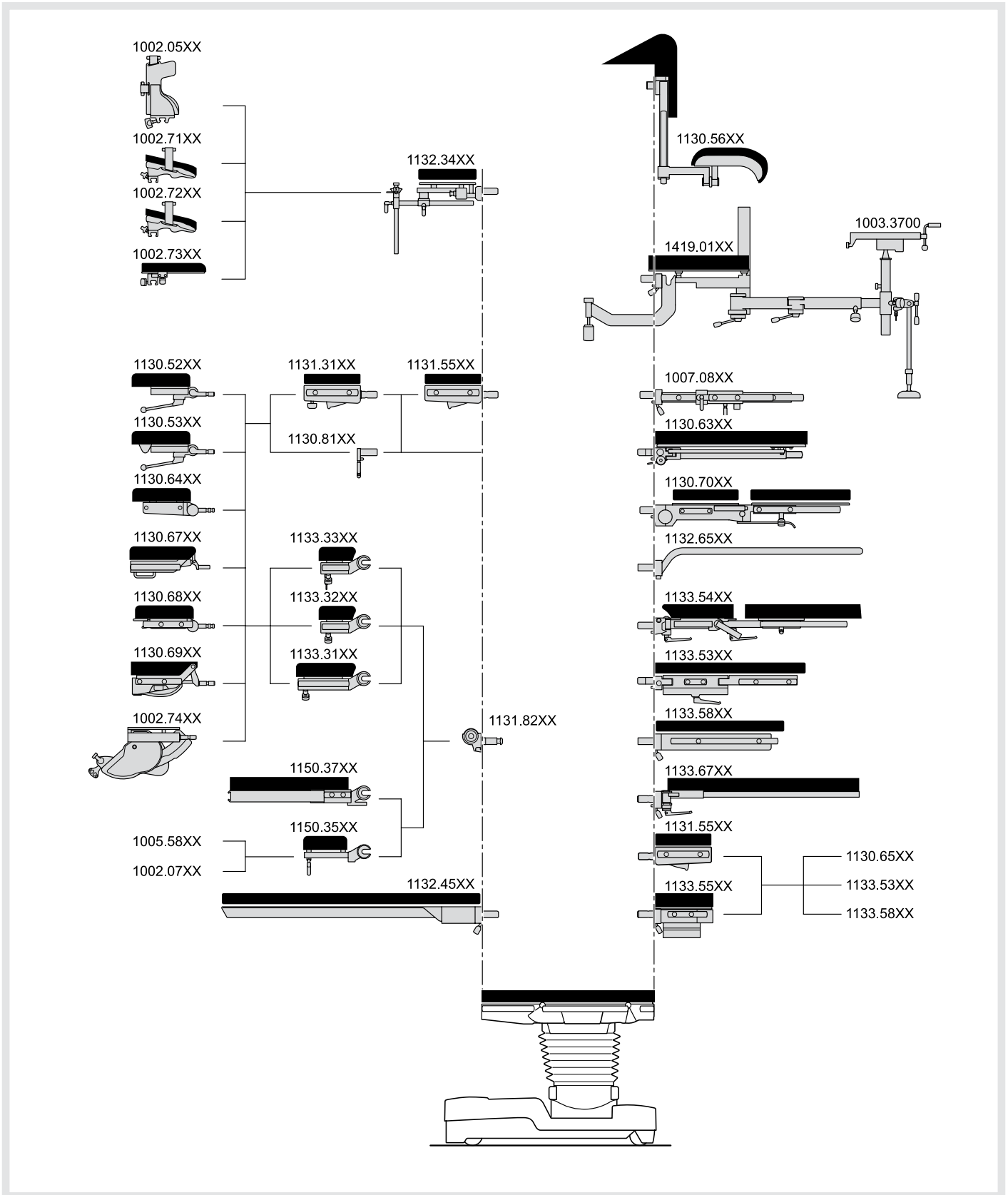
Extra thick (80 mm) and proven many times: SFC padding in a multi-layer design provides ideal decubitus prophylaxis with general anaesthetic and considerably increased comfort when a patient is awake.



All essential operating table functions can be controlled using the corded hand control, IR remote control or foot switch (e. g. Flex, Reflex, Beach Chair, 0-position or foot locking). Foot switches for various configurations are available for intra-operative table top positions in the sterile area.

User friendly: All table top and column functions can be controlled via wall control panel, an IR interface is used for data transfer. The colour display can be used to store individual operating table positions which can be activated at any time. Status reports, instructional notes and fault messages are shown on the display.

ALPHAMAXX 1133.22/1133.12 ACCESSORIES – OVERVIEW





TECHNICAL SPECIFICATIONS AND CONSTRUCTION FEATURES

Adjustment options using corded hand control, IR remote control or wall control panel

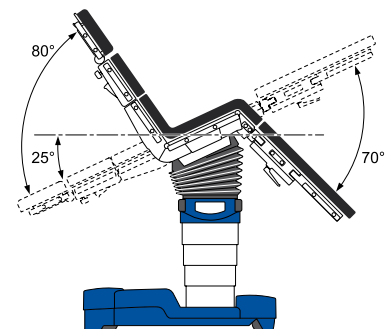
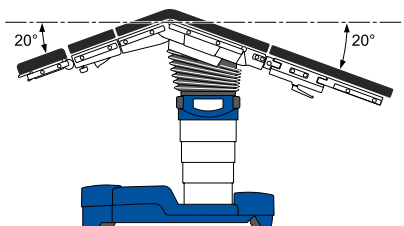
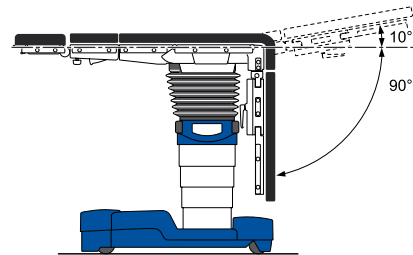
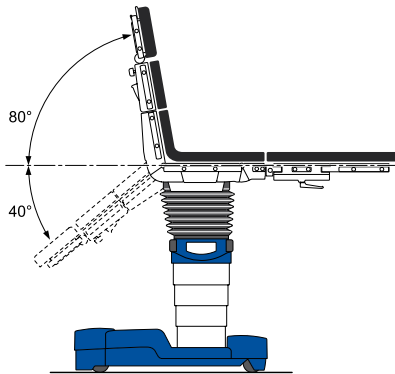
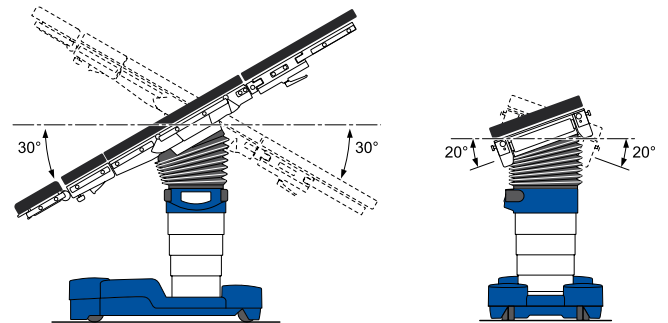
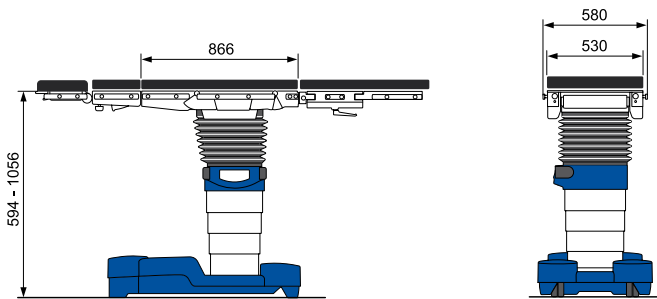
Height (without padding)	594 – 1056 mm
Trendelenburg	+30°/-30°
Lateral tilt	20°
Lower back plate	+80°/-40°
Leg plates (adjustable individually or synchronously)	+10°/-90°
Longitudinal shift 1133.22	460 mm
Longitudinal shift 1133.12	230 mm
Flex/Reflex/Beach Chair	
0-position (horizontal position of operating table top)	
Foot locking ("Lock/Unlock")	

Technical information

Max. patient weight	450 kg
Operating table weight	312 kg
Complies with CE requirements as per 93/42 EU Medical Device Directive	

Manual movements

1133 back plates with joint adapter	+90°/-45°
Standard head plate	+45°/-45°



GENERAL CONSTRUCTION FEATURES:

- Rechargeable battery and mains operation (see electrical specifications)
- Stable base construction with four double swivel castors for easy movement and manoeuvring (locking with the control units)
- Base cover and cover for the override panel made of GFR composite plastic resistant to impact, breakage and disinfectants. Coloured in the base shade and coated with an additional scratch-resistant enamel
- Column casing made of chrome-nickel steel
- Seat plate supporting arms made of high-strength aluminium with disinfectant- and scratch-resistant enamel finish
- Back plate supporting arms, leg clamp, joint cover and side rails made of chrome-nickel steel

VARIANTS AND TABLE TOP PADDING:

1133.12X1	ALPHAMAXX, mobile operating table for general surgery in modular design, 230 mm longitudinal shift, electrohydraulic, without hand control units, with 80 mm SFC padding, radiotranslucent and electrically conductive, for use in areas subject to explosion hazard, AP-M-approved
1133.12X3	see above (1133.12X1), however, with electric autodrive
1133.22X1	ALPHAMAXX, mobile operating table for general surgery in modular design, 460 mm longitudinal shift, electrohydraulic, without hand control units, with 80 mm SFC padding, radiotranslucent and electrically conductive, for use in areas subject to explosion hazard, AP-M-approved
1133.22X3	see above (1133.22X1), however, with electric autodrive

REQUIRED BASIC ACCESSORIES:

1133.90XX	Corded hand control
1130.53XX	Dual-joint head rest, with Trendelenburg adjustment feature, guide rails for X-ray cassettes and SFC padding
1131.31XX	Extension plate
1133.53XX	Pair of leg plates, with dual-joint abduction, SFC padding

FEATURES OF THE OPERATING TABLE TOP:

- Operating table top: Subdivided into six sections with head plate (optional), upper back plate (optional), lower back plate, seat plate, leg plates (optional)
- Entire table top without crossbars, to permit fluoroscopy
- Guide rails for the insertion of X-ray cassettes from the head end
- SFC padding, 80 mm thick

ELECTRICAL SPECIFICATIONS:

- Special-design rechargeable batteries with a capacity for at least a week's use in the operating room (approx. 50 operations)
- Electronic monitoring of the charge, with optical and acoustic indicators
- Batteries recharged from the line power supply, 100–240 V AC (switchable), 50–60 Hz, over mains cable
- Safety class II, Type B; the enclosure leakage current meets the requirements of the patient leakage current for CF conditions as per EN 60601-1

OPERATION USING:

1133.91X0	IR remote control with charging station
1009.81D0	Foot switch for the following functions: height, Trendelenburg/rev. Trendelenburg, back
1009.81D1	Foot switch for the following functions: height, Trendelenburg/rev. Trendelenburg, lateral tilt
1009.81D2	Foot switch for the following functions: height, Trendelenburg/rev. Trendelenburg, leg plates
1009.81D3	Foot switch for the following functions: height, Trendelenburg/rev. Trendelenburg, longitudinal shift
1150.95B0	Wall control panel with LC display. Memory function for free selection of 10 table top positions

OPTIONAL ACCESSORY:

Head plates:	
1130.81XX	Head plate adapter
1130.67XX	Head plate with gas strut assisted adjustment, SFC padding
Back plates:	
1132.34XX	Back plate for shoulder surgery, SFC padding
1131.82XX	Joint adapter, pair, for 1133 or 1150 modules
1133.32XX	Back plate, short, for general surgery, SFC padding
1133.33XX	Back plate, short, for neurosurgery, SFC padding
Leg plates:	
1133.58XX	Leg plate, single-piece, SFC padding
1133.54XX	Leg plate, four-piece, SFC padding
1133.67XX	Pair of leg plates, carbon-fibre, SFC padding
1131.55XX	Seat plate extension, SFC padding
1132.65XX	Leg positioning device, load of max. 40 kg, without slide rails
1419.01HC	Extension device for operating table ALPHAMAXX
1133.80A0	X-ray cassette top (7-piece)

For local contact:
Please visit our Website
www.maquet.com

MAQUET

MAQUET GmbH & Co. KG
Kehler Straße 31
D-76437 Rastatt, Germany
Phone: +49 (0) 7222 932-0
Fax: +49 (0) 7222 932-571
info.sales@maquet.de
www.maquet.com

GETINGE

GETINGE Group is a leading global provider of equipment and systems that contribute to quality enhancement and cost efficiency within healthcare and life sciences. Equipment, service and technologies are supplied under the brands ArjoHuntleigh for patient handling and hygiene, disinfection, DVT prevention, medical beds, therapeutic surfaces and diagnostics, GETINGE for infection control and prevention within healthcare and life science and MAQUET for Surgical Workplaces, Cardiovascular and Critical Care.