

POC-C157

Slim Point-of-Care Terminal with Intel® Atom™ Processor



Features

- 15" LCD display
- Fanless design with low audible noise
- Isolated design provides unique electric leakage protection for COM ports and LAN ports
- IPX1 water resistant enclosure with additional IP65 dust-tight front panel
- UL60601-1/EN60601-1, CE & FCC Class B compliance
- Optional inner WLAN module

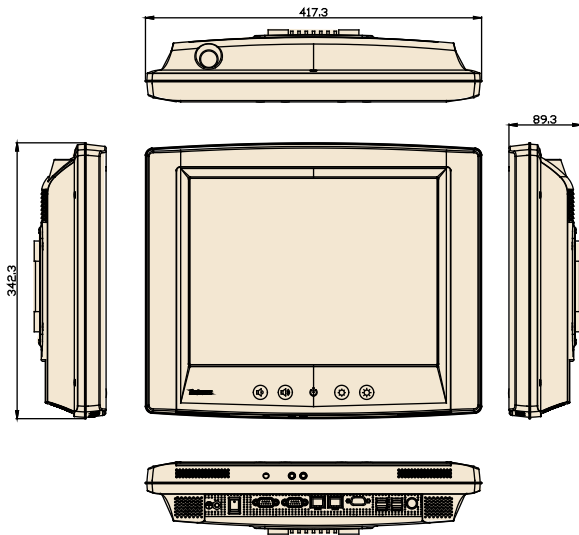


Specifications

Computing System	Chipset	Intel 945GSE + ICH7M
	CPU	45nm Intel® Atom® Processor N270: 1.6 GHz
	Front Side Bus	533 MHz
	Memory	Memory 1 x 200-pin, single channel DDR2 SODIMM slots (max. 2 GB)
Graphics	Controller	Graphics Controller Intel 945GSE GMCH integrated Graphic Media Accelerator 950
Expansion Slot	Mini PCI	1 x Mini PCI slot, supports type IIIA Mini PCI
	Mini PCI-E	1 x Mini PCI-E slot
Storage	HDD	1 x 2.5" SATA device
Ethernet	Interface	2 x Gigabit Ethernet interfaces (RJ-45)
I/O Ports		2 isolated serial ports: RS-232 x 1, RS-232/422/485 x 1 4 USB 2.0 ports 1 D-sub VGA port
Speakers		2 x 1 W speakers; 1 x MIC-in and 1 x Line/Headphone Out
Display	Display Type	15" TFT color LCD
	Max. Resolution	1024 x 768
	Max. Colors	262 K
	Dot Size (mm)	0.297 x 0.297
	Viewing Angle	140°/125°
	Luminance	350 cd/m ²
	Contrast Ratio	700:1
	LCD MTBF	50,000 hours
Backlight Lifetime	50,000 hours at 6.5 mA	
Power Supply		Universal AC/DC adapter (Sinpro Model no. HPU100-107)
	Input Voltage	100 ~ 240 V _{AC} , 47 ~ 63 Hz, 1.25 ~ 0.5 A
	Output Voltage	+18 V _{DC} , 5.55 A max. (100 watts)
Optional Touchscreen	Type	Analog Resistive
	Light Transmission	75%
	Controller	RS-232 interface (use COM3)
	Durability	30 million touches
Environment	Temperature	0 ~ 40° C (Operating)
	Humidity	10 ~ 95% @ 40° C (non-condensing)
	Shock Resistance	20 G peak acceleration (11 ms duration)
Physical Characteristics	Dimensions (W x D x H)	417.3 x 342.3 x 89.3 mm (16.42" x 14.84" x 3.51")
	Weight	5.4 kg
	Power Input	12-24V wide range DC power input (15 ~ 24 V with battery option)
	Cooling Fan Dimensions (L x W x H)	fanless
	Entire System	IPX1 compliance
	Certification	CE, FCC Class B; UL60601-1, EN60601-1, CCC compliance
Mounting	VESA	75 x 75 mm; 100 x 100 mm

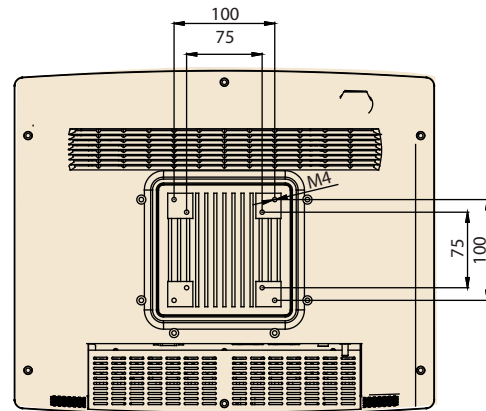
Dimensions

Unit: mm

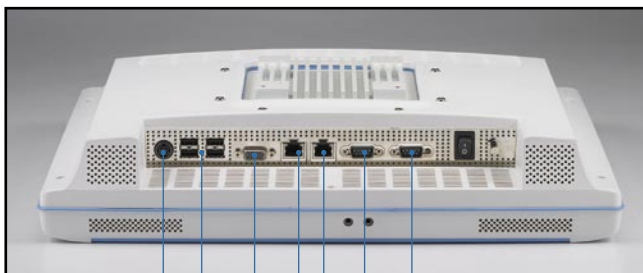


Mounting

Unit: mm



Rear I/O



1 2 3 4 5 6 7

1. 4-pin mini-DIN DC connector
2. USB 2.0 Ports x 4
3. D-sub VGA port
4. 10/100/1000 Mbps Ethernet interface (RJ-45)
5. 10/100/1000 Mbps Ethernet interface (RJ-45)
6. Isolated RS-232/422/485 COM port (COM1)
7. RS-232 COM port (COM2)

Ordering Information

Part Number	Touch Panel	HDD 24 x 7	RAM
POC-C157-160-ATE	Res.TS		2G

Packing List

Description	Quantity
AC 100W SPS HPU100-107 W/PFC 100-240	1
User manual for POC-C157 model 1st Ed	1
Advantech 2-year warranty card	1
CD-ROM for POC-S series Driver & Utility	1
China RoHs report	1

Accessories

Part Number	Description
1702002600	Power Cable (USA) 1.83M
1702002605	Power Cable (Europe) 1.8M
*	802.11 b/g/n wireless LAN mini-PCIe module & inner antenna

*means this accessory will go with T Part Number. Please contact Advantech sales for more details.