

Dmed® hx 35 P FX

TECHNICAL DATA

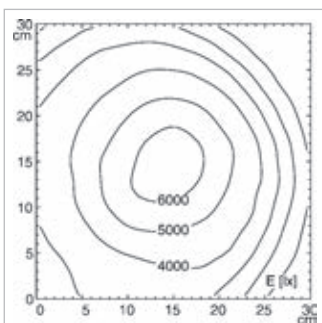
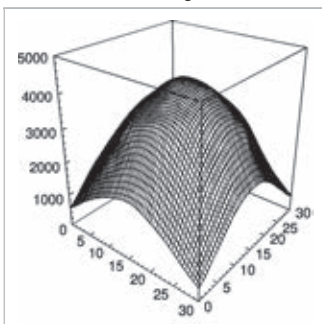
FITTED WITH	1 x halogen lamp QR-CBC51 35 W - D68745000
LUMINOUS POWER	6 000 Lux / 0,5 m
WORK EQUIPMENT	Electronic transformer
CONNECTED LOAD	230 V; 50 Hz
MAINS LEAD	approx. 1.4 m
LUMINAIRE BODY	Polyamide (PA)
WEIGHT (NET)	approx. 1.3 kg
POWER CONSUMPTION	approx. 40 W
USAGE	2-stages rocker switch (60/100 %)
TECHNOLOGY	Single-pole secondary
BALANCE OF ARTICULATION JOINTS	Spring
CLASS OF PROTECTION	II
NORMS	EN 60601-1
SPECIAL FEATURES	Emission angle 36°
FASTENING	Pin (16 mm W), rail, roller stand, table, wall
ORDER NUMBER	D13.134.000 - pure white - Euro D13.426.000 - pure white - UK

EXAMINATION LIGHTS

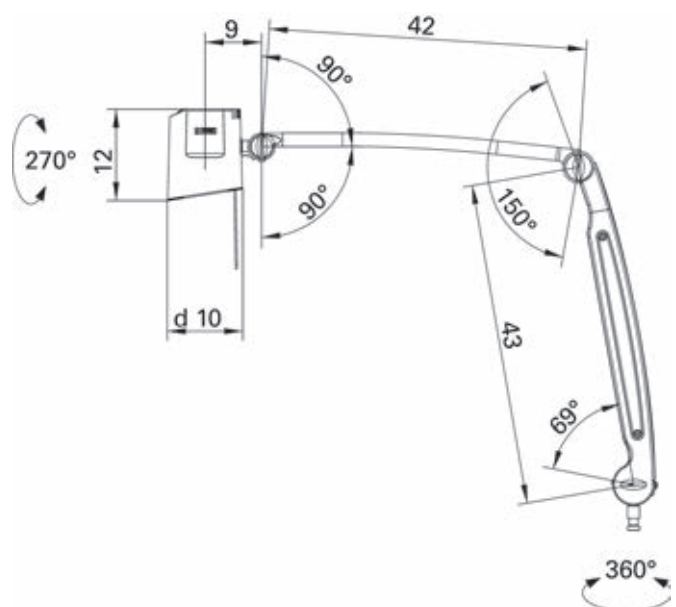


LIGHT DISTRIBUTION

Emission angle 36°



TECHNICAL DRAWING



Illumination data $\pm 10\%$ tolerance

Dmed® hx 35 P FX

TECHNICAL DATA

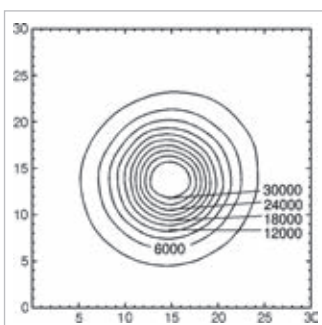
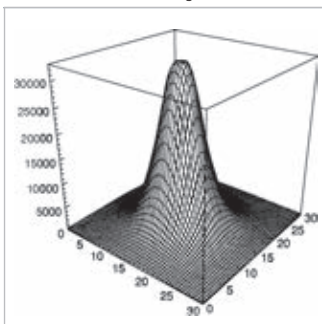
FITTED WITH	1 x halogen lamp QR-CBC51 35 W - D99210000
LUMINOUS POWER	32 000 Lux / 0,5 m
WORK EQUIPMENT	Electronic transformer
CONNECTED LOAD	230 V; 50 Hz
MAINS LEAD	approx. 1.4 m
LUMINAIRE BODY	Polyamide (PA)
WEIGHT (NET)	approx. 1.3 kg
POWER CONSUMPTION	approx. 40 W
USAGE	2-stages rocker switch (60/100 %)
TECHNOLOGY	Single-pole secondary
BALANCE OF ARTICULATION JOINTS	Spring
CLASS OF PROTECTION	II
NORMS	EN 60601-1
SPECIAL FEATURES	Emission angle 10°
FASTENING	Pin (16 mm W), rail, roller stand, table, wall
ORDER NUMBER	D13.899.000 - pure white - Euro D14.635.000 - pure white - UK

EXAMINATION LIGHTS

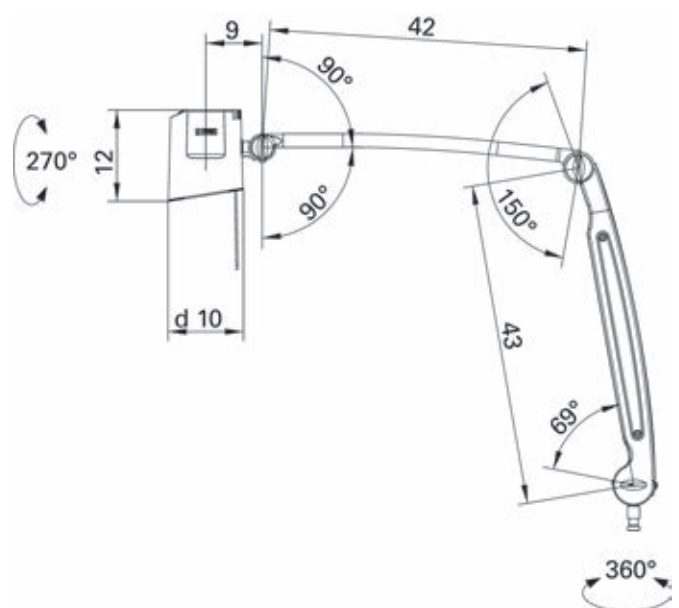


LIGHT DISTRIBUTION

Emission angle 10°



TECHNICAL DRAWING



Illumination data $\pm 10\%$ tolerance

Dmed® hx 35 P SX

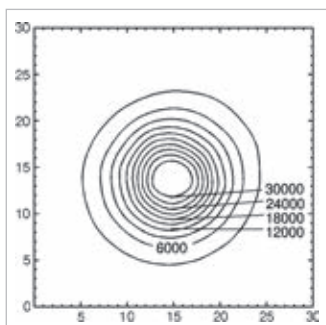
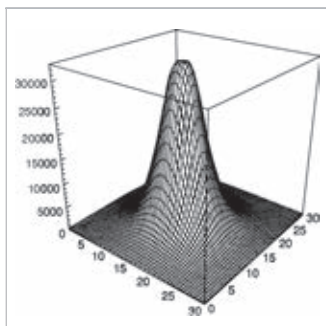
TECHNICAL DATA

FITTED WITH	1 x halogen lamp QR-CBC51 35 W - D99210000
LUMINOUS POWER	32 000 Lux / 0,5 m
WORK EQUIPMENT	Electronic transformer
CONNECTED LOAD	230 V; 50 Hz
MAINS LEAD	approx. 3 m
LUMINAIRE BODY	Polyamide (PA)
WEIGHT (NET)	approx. 1.3 kg
POWER CONSUMPTION	approx. 40 W
USAGE	Rocker switch (I/O)
TECHNOLOGY	Single-pole primary
BALANCE OF ARTICULATION JOINTS	Friction
CLASS OF PROTECTION	II
NORMS	EN 60601-1
FASTENING	Pin (16 mm W), rail, roller stand, table, wall
ORDER NUMBER	D14.453.000 - pure white - Euro D14.639.000 - pure white - UK

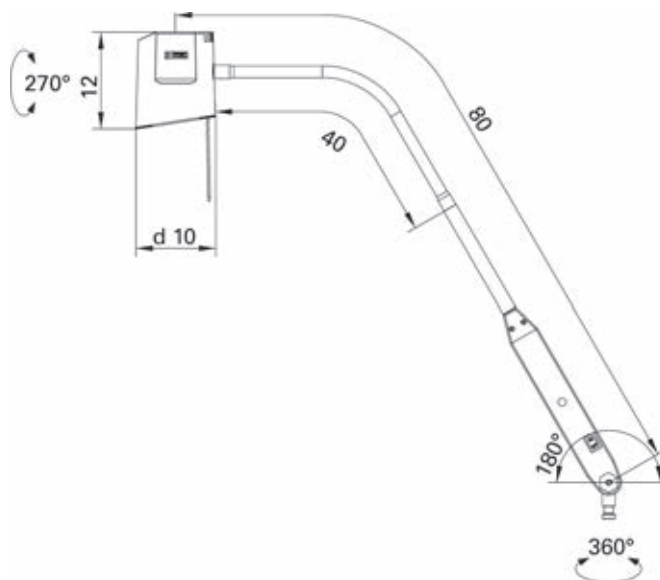
EXAMINATION LIGHTS



LIGHT DISTRIBUTION



TECHNICAL DRAWING



Illumination data $\pm 10\%$ tolerance