

PLUG & TOUCH BY RODENSTOCK

NON-CONTACT TONOMETER
NCT 2000

Maximum comfort. For all.

- Touch-screen alignment system
- Cornea thickness related IOP correction
- Auto-alignment + auto-measurement
- Patient-friendly soft and silent air pulse
- High-speed measurement



QUALITY IN DETAIL



Touch-screen alignment system

The 5.7 inch colour touch-screen is used to monitor operation and display the measurement results. The measurement head can be moved in all directions simply by touching the screen. All commands are inputted via touch-screen.

Cornea thickness related IOP

You can easily adjust the measured IOP data according to the central corneal thickness. The calculation formula used by the **NCT 2000** is easily amended according to your own preference.

Auto-alignment + auto-measurement

Operating the **NCT 2000** couldn't be easier. Simply align the measurement head towards the patient's eye and the instrument takes over, handling fine adjustment and measurement all by itself. Once the first measurement is completed, the colour touch-screen displays a prompt to automatically repeat the measurement process on the other eye.

Soft and silent air pulse

For the comfort of your patient the **NCT 2000** is designed to use a very gentle air pulse. Even the noise generated by the instrument is reduced to the minimum, thereby relaxing your patient to facilitate highly accurate results.

High speed measurement

If you choose the multi measurement option the **NCT 2000** produces up to three air pulses in an extremely short sequence (0.1 seconds each).

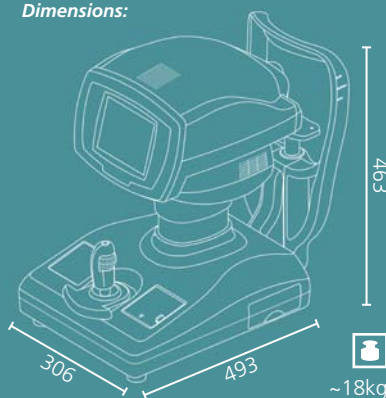


Auto-alignment / Auto-measurement

Right		Left	
No	Data	No	Data
1	11 eM	6	11
2	12	7	12
3	12 E	8	
4	11 e	9	
5	12 M	10	
AVG 11.5mmHg (15.3hPa)		AVG 11.5mmHg (15.3hPa)	
aIOP 17.1mmHg (22.8hPa)		aIOP 9.8mmHg (13.1hPa)	
CCT _R = 450 μm		CCT _L = 585 μm	

Data List

Dimensions:



SPECIFICATIONS

Measuring intraocular pressure

Measurement range.....0-60 mm Hg,
(0-30 mm Hg/25-60 mm Hg)
Measurement1 mm Hg (1 hPa) increments
within the measurement range

Energy and other consumption

Light sourceLight emitting diode
Prism880 nm

Sight-fixing lamp

Light sourceLight emitting diode
(3-colour chip)
WavelengthRed 630 nm
Green 520 nm
Blue 470 nm
Output.....Red < 0.1 μW (Limit 1:3.7 μW)
Green < 0.1 μW (Limit 1:3.7 μW)
Blue < 0.1 μW (Limit 1:3.7 μW)

Light for anterior eye segment

Light sourceLight emitting diode
Wavelength780 nm
Output.....< 100 μW (Limit 1: 450 μW)
1 AEL Class 1 Conforming
to IEC 60825-1:2001
Standards appliedMDD ANNEX II, ISO 13485

Main unit

Built-in printer.....Thermosensitive line printer
Stroke of moving
section.....88 mm (X-axis)
40 mm (Y-axis)
45 mm (Z-axis)
Stroke of chin rest.....70 mm
Data output typeRS-232C
Display.....5.7" colour LCD

Dimensions & electrical requirements

Dimensions WDH.....306 x 493 x 463 mm
WeightApprox. 18.0 kg
InputAC 100 V to 240 V
Frequency50/60 Hz
Power consumptionLess than 85 VA