



**EMD**  
*Endoscopic  
Micro-Discectomy*

**Rudolf**  
ENDOSCOPY

**Neuro-Spine**

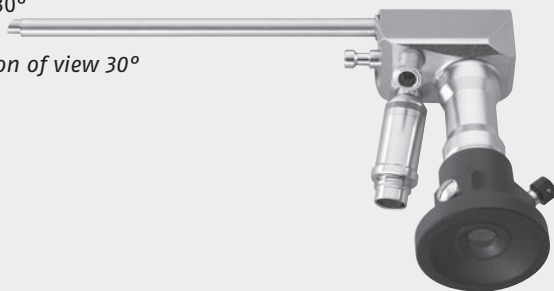


### **ENDODISC®** ENDOSKOP ENDOSCOPE

**ENDOSKOP** komplett mit Operationsrohr, Fixierstab und Verbindungsring  
*ENDOSCOPE complete with operation tube, fixation rod and connection ring*



**ENDODISC® ENDOSKOP**  
mit Spülrohr, Blickrichtung 30°  
*ENDODISC® ENDOSCOPE*  
with irrigation tube, direction of view 30°



Durchmesser <i>Diameter</i>	Länge <i>Length</i>	Bestell-Nr. <i>Ordering number</i>
--------------------------------	------------------------	---------------------------------------

5,0 mm	94,6 mm	<b>NS150-000</b>
--------	---------	------------------

**VERBINDUNGSRING**  
*CONNECTION RING*



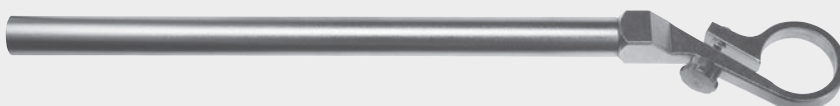
18,0 mm	-	<b>NS151-015</b>
---------	---	------------------

**OPERATIONSROHR**  
*OPERATION TUBE*



18,0 mm	93,0 mm	<b>NS151-011</b>
---------	---------	------------------






**FIXIERSTAB** für den Gebrauch mit Fixierarm NS150-900  
*FIXATION rod for use with fixation arm NS150-900*




10,0 mm	205,0 mm	<b>NS151-020</b>
---------	----------	------------------




### Dilatatorens-Set / Endoskop-Halterung Dilators Set / Endoscope Holder



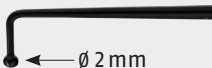
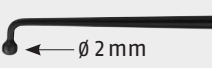
Beschreibung Description	Ø	Länge Length	Bestell-Nr. Ordering number	
<b>DILATATOREN-SET</b> (Rohr-Nr.1-4, Trokar) <i>DILATORS SET (tube no.1-4, trocar)</i>			<b>NS151-000</b>	
Rohr-Nr.1 <i>Tube no.1</i>		17 mm	130 mm	-
Rohr-Nr.2 <i>Tube no.2</i>		12 mm	160 mm	-
Rohr-Nr.3 <i>Tube no.3</i>		9 mm	190 mm	-
Rohr-Nr.4 <i>Tube no.4</i>		6 mm	220 mm	-
Trokar <i>Trocar</i>		3 mm	250 mm	-



	Bestell-Nr. Ordering number
 <p><b>ENDOSKOP-HALTERUNG</b>, isoliert</p> <ul style="list-style-type: none"> <li>• Instrumentenhalter 0-18 / Ø 4-18 mm</li> <li>• Gelenkarm, Aktionsradius 400 mm</li> <li>• L-Säule 450x100 mm, Höhe verstellbar</li> <li>• isolierter Schienensockel, HF-geprüft</li> </ul> <p>für die HF-Chirurgie, Laparoskopie, minimal invasive Chirurgie (MIC), allgemeine Chirurgie und Neurochirurgie. Stabile Montage an den verschiedenen OP-Tisch-Schienen.</p> <p><i>ENDOSCOPE HOLDER, insulated</i></p> <ul style="list-style-type: none"> <li>• Instrument holder 0-18 / Ø 4-18 mm</li> <li>• Articulated arm, action radius 400 mm</li> <li>• L column, 450x100 mm, height-adjustable</li> <li>• Insulated rails clamping base, HF-tested</li> </ul> <p>for High-Frequency (HF) Surgery, Laparoscopy, Minimally Invasive Surgery (MIS), General Surgery and Neurosurgery. Can be attached firmly to various rails on the operating tables.</p>	<b>NS150-900</b>






Beschreibung Description	Durchmesser Diameter	Nutzlänge (NL) Working length (WL)	Bestell-Nr. Ordering number
<b>KNORPEL-SCHNEIDER</b> , graduiert (5 – 30 mm), keramikbeschichtet <i>CARTILAGE CUTTER, graduated (5 – 30 mm), ceramic coated</i>	 3,5 mm	145 mm	<b>NS151-101</b>
	4,0 mm	145 mm	<b>NS151-102</b>
	4,5 mm	145 mm	<b>NS151-103</b>

Beschreibung Description	Nutzlänge (NL) Working length (WL)	Bestell-Nr. Ordering number
<b>BAJONETT-MESSER</b> , graduiert (5 – 30 mm), Klingenlänge 5,5 mm, 45°, keramikbeschichtet <i>BAYONET KNIFE, graduated (5 – 30 mm), length of blade 5.5 mm, 45°, ceramic coated</i>	 145 mm	<b>NS151-130</b>
<b>DISSEKTOR</b> , schwarzverchromt, 1,5 mm dick, 4,0 mm breit, 5,5 mm lang <i>DISSECTOR, black chromed, 1.5 mm thick, 4.0 mm wide, 5.5 mm long</i>	 145 mm	<b>NS151-140</b>
<b>KNOPFSONDE</b> , lang (6,0 mm), schwarzverchromt, 90° <i>BALL PROBE, long (6.0 mm), black chromed, 90°</i>	 145 mm	<b>NS151-150</b>
<b>KNOPFSONDE</b> , kurz (4,0 mm), schwarzverchromt, 90° <i>BALL PROBE, short (4.0 mm), black chromed, 90°</i>	 145 mm	<b>NS151-151</b>

Beschreibung Description	Breite Width	Nutzlänge (NL) Working length (WL)	Bestell-Nr. Ordering number
<b>PENFIELD DISSEKTOR</b> , schwarzverchromt <i>PENFIELD DISSECTOR, black chromed</i>	 2,0 mm	145 mm	<b>NS151-160</b>
	 4,0 mm	145 mm	<b>NS151-161</b>

Beschreibung Description	Nutzlänge (NL) Working length (WL)	Bestell-Nr. Ordering number
<b>STÖSSEL</b> , keramikbeschichtet, graduiert (5 – 30 mm) <i>PESTLE, small, ceramic coated, graduated (5 – 30 mm)</i>	 145 mm	<b>RU 5317-50</b>

### ENDODISC® Küretten Curettes



<b>SCHARFE LÖFFEL, gerade, keramikbeschichtet</b> <i>SHARP CURETTE, straight, ceramic coated</i>		<b>Nutzlänge (NL)</b> <i>Working length (WL)</i>	<b>Bestell-Nr.</b> <i>Ordering number</i>
Fig. 000		190 mm	<b>RU 5363-101</b>
Fig. 0		190 mm	<b>RU 5363-103</b>

<b>SCHARFE LÖFFEL, gebogen, keramikbeschichtet</b> <i>SHARP CURETTE, curved, ceramic coated</i>		<b>Nutzlänge (NL)</b> <i>Working length (WL)</i>	<b>Bestell-Nr.</b> <i>Ordering number</i>
Fig. 000		190 mm	<b>RU 5363-111</b>
Fig. 0		190 mm	<b>RU 5363-113</b>

<b>SCHARFE LÖFFEL, rückwärts gebogen, keramikbeschichtet</b> <i>SHARP CURETTE, reverse curved, ceramic coated</i>		<b>Nutzlänge (NL)</b> <i>Working length (WL)</i>	<b>Bestell-Nr.</b> <i>Ordering number</i>
Fig. 000	 9 mm	190 mm	<b>RU 5363-301</b>
Fig. 0	 13 mm	190 mm	<b>RU 5363-303</b>





### Retraktor und Saugrohre *Retractor and Suction Tubes*

**NERVEN RETRACTOR,**  
schwarzverchromt  
**NERVE RETRACTOR,**  
*black chromed*

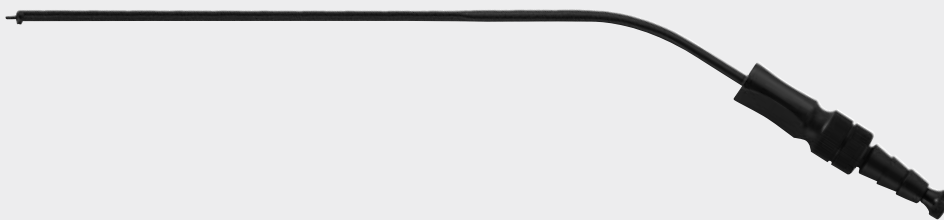


**Nutzlänge (NL)**  
*Working length (WL)*

**Bestell-Nr.**  
*Ordering number*

160 mm

**RU 6370-103**



**SAUGROHR, schwarzverchromt**  
**SUCTION TUBE, black chromed**



**Durchmesser**  
*Diameter*

3 mm

**Nutzlänge (NL)**  
*Working length (WL)*

160 mm

**Bestell-Nr.**  
*Ordering number*

**RU 6427-130**

**SAUGROHR, schwarzverchromt**  
**SUCTION TUBE, black chromed**



**Durchmesser**  
*Diameter*

3 mm

**Nutzlänge (NL)**  
*Working length (WL)*

160 mm



**Bestell-Nr.**  
*Ordering number*

**RU 6427-100**

### **ENDODISC®** Stanzen Punches



**KERRISON STANZEN**, Maulöffnung 15 mm, keramikbeschichtet  
*KERRISON PUNCHES, jaw opening 15 mm, ceramic coated*

	Bissbreite Width of bite	aufwärts schneidend cutting upwards	Nutzlänge (NL) Working length (WL)	Bestell-Nr. Ordering number
	2,0 mm	90°	230 mm	<b>RU 6471-502CC</b>
	3,0 mm	90°	230 mm	<b>RU 6471-503CC</b>
	2,0 mm	40°	230 mm	<b>RU 6473-502CC</b>
	3,0 mm	40°	230 mm	<b>RU 6473-503CC</b>



**LAMINEKTOMIE STANZEN**, keramikbeschichtet, graduiert (5 – 30 mm)  
*LAMINECTOMY PUNCHES, ceramic coated, graduated (5 – 30 mm)*

	Bissbreite Width of bite	Nutzlänge (NL) Working length (WL)	Bestell-Nr. Ordering number
gerade <i>straight</i>	 2,0 mm	200 mm	<b>RU 6482-101</b>
	 3,0 mm	200 mm	<b>RU 6485-101</b>
	 4,0 mm	200 mm	<b>RU 6488-101</b>
aufwärts gebogen <i>curved upwards</i>	 3,0 mm	200 mm	<b>RU 6485-102</b>
	 4,0 mm	200 mm	<b>RU 6488-102</b>
gezahnt <i>serrated</i>	 3,0 mm	200 mm	<b>RU 6493-103</b>
<b>LAMINEKTOMIE SCHERE</b> , keramikbeschichtet, gerade <i>LAMINECTOMY SCISSORS</i> , ceramic coated, straight	 –	200 mm	<b>RU 6325-100</b>





### Bipolare Instrumente und Kabel Bipolar Instruments and Cable



Beschreibung Description		Länge Length	Bestell-Nr. Ordering number
<b>BIPOLARE PINZETTE</b> , gerade, Spitzenbreite 1,0 mm <i>BIPOLAR FORCEPS, straight, width of tips 1.0 mm</i>		240 mm	<b>HF520-124</b>
<b>BIPOLARE PINZETTE</b> , aufgebogen, Spitzenbreite 1,0 mm <i>BIPOLAR FORCEPS, angled upwards, width of tips 1.0 mm</i>		240 mm	<b>HF520-524</b>

BIPOLARE KUGELELEKTRODE, 45°, Kugel Ø 2 mm <i>BIPOLAR BALL ELECTRODE, 45°, ball Ø 2 mm</i>	Nutzlänge (NL) Working length (WL)	Bestell-Nr. Ordering number
		215 mm

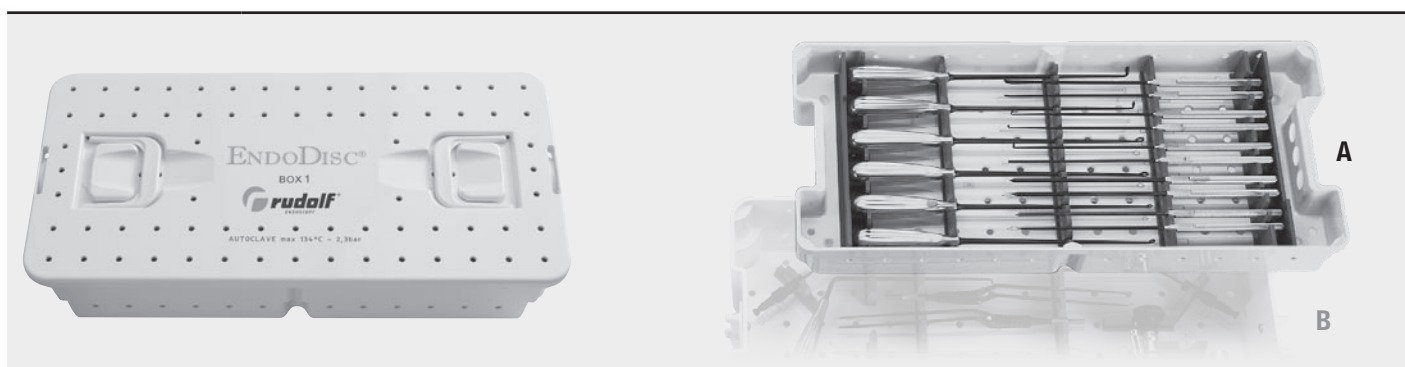
KABEL für bipolare Instrumente <i>CABLE for Bipolar Instruments</i>	Länge Length	Bestell-Nr. Ordering number
	5 m	<b>HF310-105</b>





**Box 1**  
bestehend aus Sieb A + B

*Box 1*  
consisting of Tray A + B

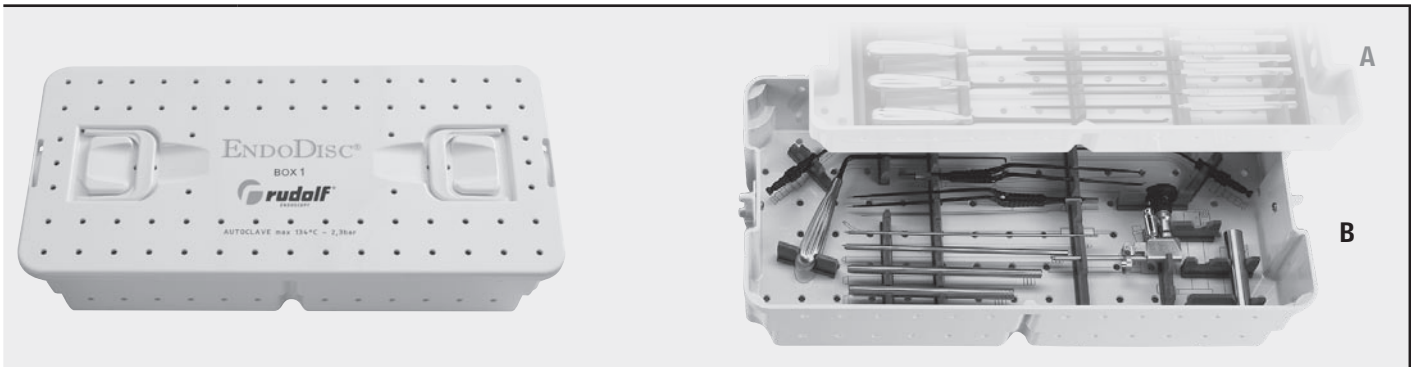


Bestell-Nr. Ordering number	Sieb A Tray A
RU 5317-50	Stößel, graduiert <i>Pestle, graduated</i>
RU 5363-101	scharfer Löffel, gerade, Fig. 000 <i>sharp curette, straight, Fig. 000</i>
RU 5363-103	scharfer Löffel, gerade, Fig. 0 <i>sharp curette, straight, Fig. 0</i>
RU 5363-111	scharfer Löffel, gebogen, Fig. 000 <i>sharp curette, curved, Fig. 000</i>
RU 5363-113	scharfer Löffel, gebogen, Fig. 0 <i>sharp curette, curved, Fig. 0</i>
RU 5363-301	scharfer Löffel, rückwärts gebogen, Fig. 000 <i>sharp curette, reverse, Fig. 000</i>
RU 5363-303	scharfer Löffel, rückwärts gebogen, Fig. 0 <i>sharp curette, reverse, Fig. 0</i>
NS151-101	Knorpel-Schneider, Ø 3,5 mm <i>Cartilage cutter, Ø 3.5 mm</i>
NS151-102	Knorpel-Schneider, Ø 4,0 mm <i>Cartilage cutter, Ø 4.0 mm</i>
NS151-103	Knorpel-Schneider, Ø 4,5 mm <i>Cartilage cutter, Ø 4.5 mm</i>
NS151-130	Bajonett-Messer, 45° <i>Bayonett knife, 45°</i>
NS151-140	Dissektor <i>Dissector</i>
NS151-150	Knopfsonde, lang (6,0 mm) <i>Ball probe, long (6.0 mm)</i>
NS151-151	Knopfsonde, kurz (4,0 mm) <i>Ball probe, short (4.0 mm)</i>
NS151-160	Penfield Dissektor, Breite 2,0 mm <i>Penfield dissector, width 2.0 mm</i>
NS151-161	Penfield Dissektor, Breite 4,0 mm <i>Penfield dissector, width 4.0 mm</i>



**Box 1**  
bestehend aus Sieb A + B

*Box 1*  
consisting of Tray A + B



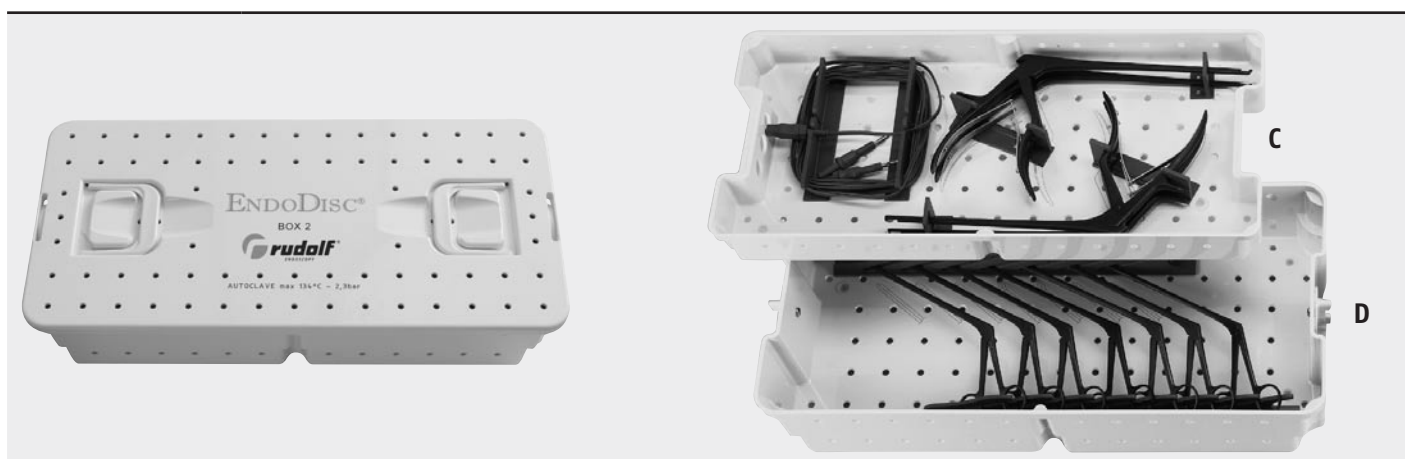
Bestell-Nr. <i>Ordering number</i>	Sieb B <i>Tray B</i>
RU 6370-103	Nerven Retraktor <i>Nerve retractor</i>
RU 6427-100	Saugrohr, Ø 3,0 mm <i>Suction tube, Ø 3.0 mm</i>
RU 6427-130	Saugrohr, Ø 3,0 mm <i>Suction tube, Ø 3.0 mm</i>
HF520-124	Bipolare Pinzette, gerade <i>Bipolar forceps, straight</i>
HF520-524	Bipolare Pinzette, aufgebogen <i>Bipolar forceps, angled up</i>
HF700-001	Bipolare Kugelelektrode, 45° <i>Bipolar ball electrode, 45°</i>
NS150-000	ENDODISC® Endoskop mit Spülrohr <i>ENDODISC® Endoscope with irrigation tube</i>
NS151-000	Dilatatoren-Set <i>Dilators Set</i>
NS151-011	Operationsrohr <i>Operation tube</i>
NS151-015	Verbindungsring <i>Connection ring</i>
NS151-020	Fixierstab für Fixierarm NS150-900 <i>Fixation rod for fixation arm NS150-900</i>
RU 8908-81	Container Box 1 <i>Container Box 1</i>






**Box 2**  
bestehend aus Sieb C + D

*Box 2*  
consisting of Tray C + D



<b>Bestell-Nr.</b> <i>Ordering number</i>	<b>Sieb C</b> <i>Tray C</i>
<b>RU 6473-502CC</b>	Kerrison Stanze, Bissbreite 2,0 mm, 40° <i>Kerrison punch, width of bite 2.0 mm, 40°</i>
<b>RU 6473-503CC</b>	Kerrison Stanze, Bissbreite 3,0 mm, 40° <i>Kerrison punch, width of bite 3.0 mm, 40°</i>
<b>RU 6471-502CC</b>	Kerrison Stanze, Bissbreite 2,0 mm, 90° <i>Kerrison punch, width of bite 2.0 mm, 90°</i>
<b>RU 6471-503CC</b>	Kerrison Stanze, Bissbreite 3,0 mm, 90° <i>Kerrison punch, width of bite 3.0 mm, 90°</i>
<b>HF310-105</b>	Kabel für bipolare Instrumente, 5,0 m <i>Cable for bipolar instruments, 5.0 m</i>
<b>Bestell-Nr.</b> <i>Ordering number</i>	<b>Sieb D</b> <i>Tray D</i>
<b>RU 6485-101</b>	Laminektomie Stanze, Bissbreite 3,0 mm <i>Laminectomy punch, width of bite 3.0 mm</i>
<b>RU 6485-102</b>	Laminektomie Stanze, Bissbreite 3,0 mm <i>Laminectomy punch, width of bite 3.0 mm</i>
<b>RU 6488-102</b>	Laminektomie Stanze, Bissbreite 4,0 mm <i>Laminectomy punch, width of bite 4.0 mm</i>
<b>RU 6488-101</b>	Laminektomie Stanze, Bissbreite 4,0 mm <i>Laminectomy punch, width of bite 4.0 mm</i>
<b>RU 6325-100</b>	Laminektomie Schere <i>Laminectomy Scissors</i>
<b>RU 6493-103</b>	Laminektomie Stanze, Bissbreite 3,0 mm <i>Laminectomy punch, width of bite 3.0 mm</i>
<b>RU 6482-101</b>	Laminektomie Stanze, Bissbreite 2,0 mm <i>Laminectomy punch, width of bite 2.0 mm</i>
<b>RU 8908-82</b>	Container Box 2 <i>Container Box 2</i>
<b>NS152-000</b>	<b>ENDODISC® BOX 1 und 2 (komplett mit Instrumenten und Endoskop) und Endoskop-Halterung</b> <b>ENDODISC® BOX 1 and 2 (complete with instruments and endoscope) and Endoscope Holder</b>



# *Neuro-Spine*

**Copyright notice:**

Specifications and designs are subject to change without prior notice.

All pictures, photos and product descriptions are the property of RUDOLF MEDICAL GmbH + Co. KG. Utilization and copying by third parties have to be authorized by RUDOLF MEDICAL GmbH + Co. KG.

Printed in Germany – 11.2007

© 2007 – RUDOLF MEDICAL GmbH + Co. KG

RUDOLF ENDOSCOPY *a division of*

RUDOLF MEDICAL GmbH + Co. KG · Zollerstraße 1 · 78567 Fridingen, Germany  
Phone +49 (74 63) 99 56-0 · Fax +49 (74 63) 99 56-56 · mail@rudolf-med.com · www.rudolf-med.com

**rudolf**<sup>®</sup>  
ENDOSCOPY