

# JVC

## 2 Megapixel 21.3" Color Monitor CCL258 i2



# 2 Megapixel Color Monitor

A straightforward solution  
for complex diagnostic reading environments

21.3"

900  
cd/m<sup>2</sup>

1400:1

16Bit  
LUT

DisplayPort  
&  
DVI-D

Calibration  
Function

Color  
Front  
Sensor

Uniformity  
Equalizer

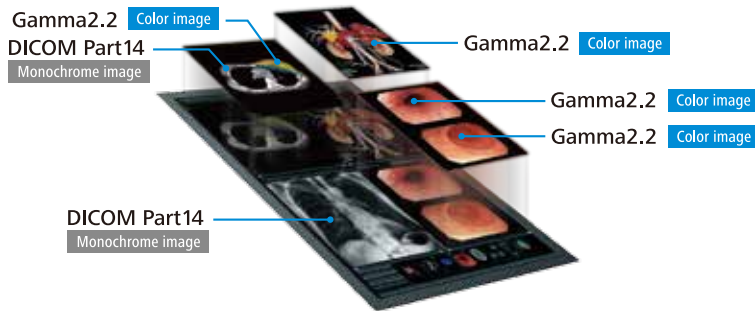
Dynamic  
Gamma

Auto  
Text  
Mode

LED  
Backlight

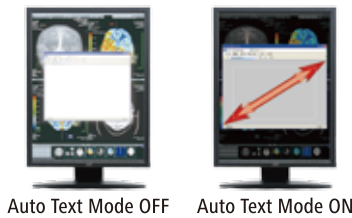
## Dynamic Gamma

Color images are automatically recognized to provide optimized contrast, brightness and gamma. No user intervention is required.



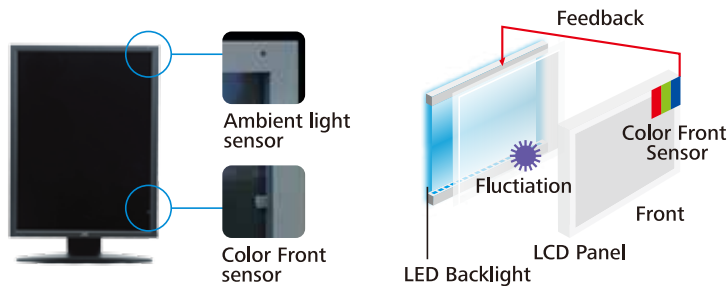
## Auto Text Mode

Automatic brightness control for text data to reduce eye strain for patient lists and reporting application.



## Luminance Stabilizing System λ-Sentinel

With two built-in sensors for luminance stabilization and ambient light measurement, CCL258i2 consistently delivers unmatched image quality.



## Uniformity Equalizer

Luminance and color uniformity correction system produces stable images across the screen.

## DICOM Conformance Check

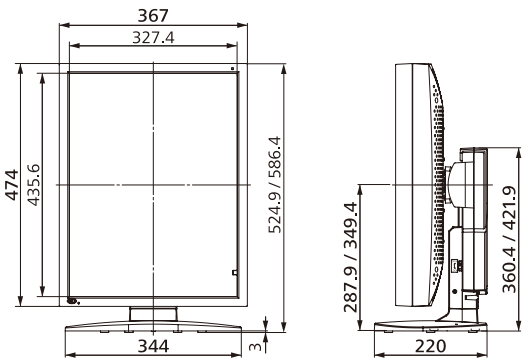
User friendly OSD functions include DICOM conformance check function.

●“JVC” is a brand of medical and industrial monitors manufactured and sold by JVCKENWOOD Corporation. ●Company names and product names are the registered trademarks of the respective companies. ●Product specifications and appearance are subject to change without notice. ●Colors in photographs may differ from actual colors due to the printing process. ●Images on screens are simulated.

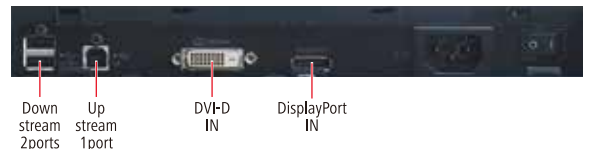
## Specifications

<b>Model Name</b>	CCL258i2/AR : AR Coating CCL258i2/F : Protective Filter CCL258i2/N : No AR Coating or Protective Filter	
<b>LCD Panel</b>	<b>Technology</b>	21.3" color TFT IPS technology
	<b>Display Area</b>	324 mm × 432 mm
	<b>Pixel Pitch</b>	0.270 mm × 0.270 mm
	<b>Contrast Ratio</b>	1400 : 1 (typ.)
	<b>Maximum Luminance</b>	900 cd/m <sup>2</sup> (typ.) 410 cd/m <sup>2</sup> · 300 cd/m <sup>2</sup> (calibrated)
	<b>Viewing Angle</b>	176° vertical and horizontal
<b>Visual Performance</b>	<b>Native Resolution</b>	1200 × 1600
	<b>Display Colors</b>	16.77 million colors from a palette of 68 billion colors 1.07 billion colors with DisplayPort and 10-bit viewer
<b>Interface</b>	<b>Input Signal</b>	DVI-D (DVI 1.0 compliant) DisplayPort (DisplayPort 1.1a compliant)
	<b>Plug and Play</b>	DDC2B compliant
<b>Input Power Supply</b>	<b>Input Power Supply</b>	100 V - 240 V 50 / 60 Hz
	<b>Maximum Power Consumption</b>	75 W (typ.)
<b>Features</b>	<b>Calibration Control</b>	Luminance, Gamma, Color temperature Capable of storing 3 sets of LUT (Optional Calibration kit is required)
	<b>OSD Information Display</b>	Model name, Serial No., Total operating time, Calibration settings (Operating time since last calibration, Luminance, Gamma), Current Luminance, Color temperature and Ambient light, DICOM conformance
	<b>USB Hub</b>	USB Rev.2.0 compliant, Self-powered USB upstream connector (×1), USB downstream connector (×2)
	<b>Other Features</b>	Uniformity Equalizer, Hardware pivot, LED indicator, Advanced power management, Dynamic Gamma, Auto text mode, λ-Sentinel, Multiple LUT, Self DICOM check
<b>Approvals</b>	ANSI/AAMI E560601-1 (2005) + A1 (2012), CAN/CSA-C22.2 No. 60601-1 (2014), CE (EN60601-1, EN60601-1-2), RCM, FCC Part15 subpart B Class B, ICES-003-B, VCCI-B, FDA510(k), J-Moss, RoHS	
<b>Physical Characteristics</b>	<b>Dimensions (W × H × D)</b>	Landscape : 474 mm × 471.4 / 532.9 mm × 220 mm Portrait : 367 mm × 524.9 / 586.4 mm × 220 mm
	<b>Weight</b>	approx. 12 kg
	<b>Tilt Stand</b>	Tilt, Swivel, Portrait / Landscape
	<b>Mount</b>	VESA standard (100 mm × 100 mm)
	<b>Security Slot</b>	Anti-theft security slots (display and tilt stand)
<b>Accessories</b>	Power cord, DVI cable, DisplayPort cable, USB cable, User manual, Cleaning kit* *AR Coating model only	

## Dimensions (mm)



## Interface



### Safety Precautions

- Please read the user's manual for safe and proper use.
- Do not expose the product to dust, moisture, steam, or oily smoke. It could cause fire, electric shock, or a failure.

Please contact our distributor below with inquiries and orders.

Healthcare Business Division  
JVCKENWOOD Corporation  
3-12, Moriya-cho, Kanagawa-ku, Yokohama-shi, Kanagawa, 221-0022, JAPAN  
TEL: +81-45-450-1908 FAX: +81-45-450-1926  
E mail : medical-display.jvckenwood.com  
JVC Healthcare Website : <http://healthcare.jvc.com/>