



Duolys



Duolys

Five years ago, Promotal conducted the largest survey ever performed in Europe and the Middle East. This 3-year survey, conducted in collaboration with more than 200 health professionals, revealed 3 basic needs:

equal treatment of people with mobility limitations, efficiency in carrying out medical examinations and user-friendly equipment. iDuolys is Promotal's new revolution. We have designed a versatile examining couch with a sleek, lightweight design that will improve your comfort and that of your patients thanks to the patient access/transfer position that is the lowest on the market, an optimal gynaecological position, the programmable positions and the autonomous movements that are 2 times faster.



**LOW
POSITION**



**HIGH
POSITION**



**TRENDELEN-
BURG**



**REVERSE
TRENDELEN-
BURG**



GYNAECOLOGY



EQUAL TREATMENT

MAKE THINGS EASIER FOR YOUR PATIENTS WITH MOBILITY LIMITATIONS:

- > Low 53 cm position provides easier patient access/transfer
- > Safe, smooth electrical movements
- > Compatible with a patient hoist
- > Switch from the low position to the gynaecological position effortlessly

EXAMINE ALL YOUR PATIENTS EASILY:

- > Accommodates up to 250 Kg

EFFICIENCY

YOUR EXAMINATIONS WILL GO SMOOTHLY THANKS TO:

- > A 2-in-1 couch for gynaecologists and general practitioners
- > Easy to use built-in stirrups (depending on model)
- > A foot control with a double-click function to switch positions without the remote control
- > Movements that are 2 times faster
- > Autonomous movements, press once to change positions
- > Intuitive controls and pre-programmed patient access/transfer position
- > A reprogrammable "Home" position

YOUR ENVIRONMENT WILL BE EASY TO CLEAN THANKS TO:

- > Wheels that can be electrically activated by holding down the button on the remote control (depending on the model)
- > Removable seamless seat upholstery

USER-FRIENDLY DESIGN

CHANGE POSITIONS EFFORTLESSLY:

- > Electrical movements: Height, central backrest, Trendelenburg / reverse Trendelenburg
- > Rear backrest adjustable by hydraulics
- > Variable height from 53 to 99 cm
- > 2 programmable positions, 100% configurable
- > Built-in stirrups

IMPROVE YOUR PATIENTS' COMFORT THANKS TO:

- > A real gynaecological position





3060-40

Pads – stirrups on clamps

3065-40

Pads – retractable stirrups

3060-50

Retractable wheels, stirrups on clamps

3065-50

Retractable wheels, retractable stirrups

3060-60

125mm wheels, stirrups on clamps

3065-60

125mm wheels, retractable stirrups

● OPTIONS
● ACCESSORIES



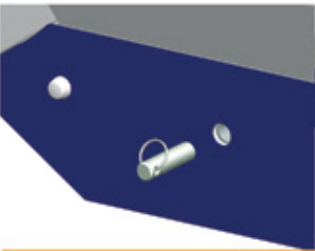
Pair of leg rests
(to replace stirrups on clamps)
Ref. 30840



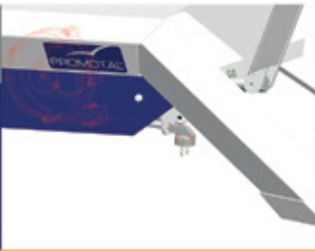
Built-in power outlet
EU - Ref. 30400-01EU
UK - Ref. 30400-01UK



Battery
Ref. 3092-01



Circuit breaker
Ref. 3058-01



Power cord reel
(4m)
Ref. 3032-01XX



Antistatic wheels
Ref. 3031-01



Urological tray
(to replace the standard tray)
Ref. 2061-30



Equipotential outlet
Ref. 2059-01



Pair of Goeple leg rests
(to replace stirrups on clamps)
Ref. 30845



Wireless remote control
Ref. 3041-25
(retractable wheel model)
Ref. 3041-20-20 (other models)



Clamp
Ref. 166



Pair of leg rests
Ref. 840



Pair of covers
for leg rests
Ref. 861



IV pole
with 2 hooks
Ref. 985-01



Auto-locking IV pole
with 2 hooks
Ref. 2985-01



Armrest
(one)
Ref. 2536



Cover for armrest
(one)
Ref. 2537



Pair of stirrups
Ref. 850



Flat upholstery headrest
Ref. 1102-10



Pair of clamps on rail
Ref. 878-12



Backrest extension
Ref. 2055-01



Foot control
Wired Ref. 3051-10
Wireless Ref. 3051-20



Splash screen
Ref. 12677-01



Pair of rails with clamps
Ref. 2065-78



Pair of plasticised hand
grips
Ref. 856



Pair of side rails
(Flat upholstery only)
Ref. 85114-01



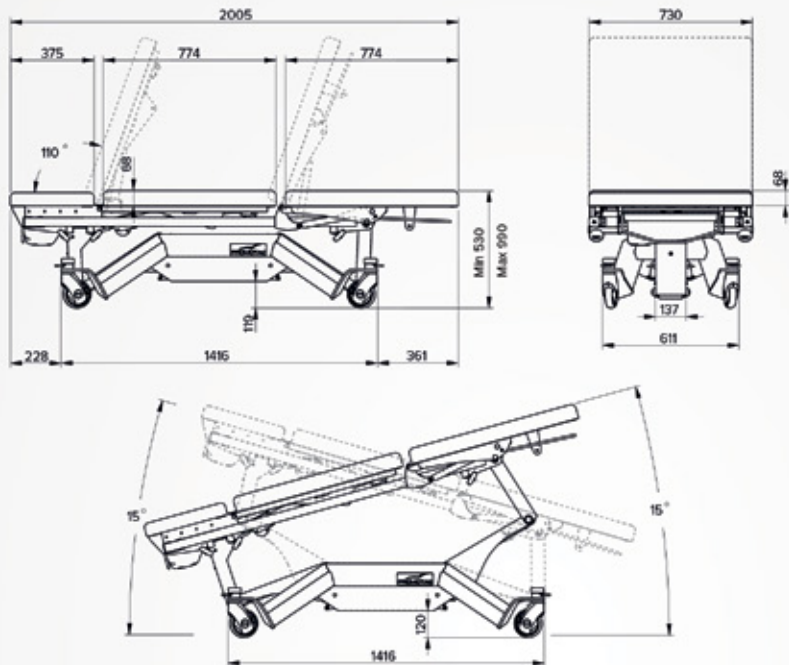
Lamp
(Refer to the documentation)



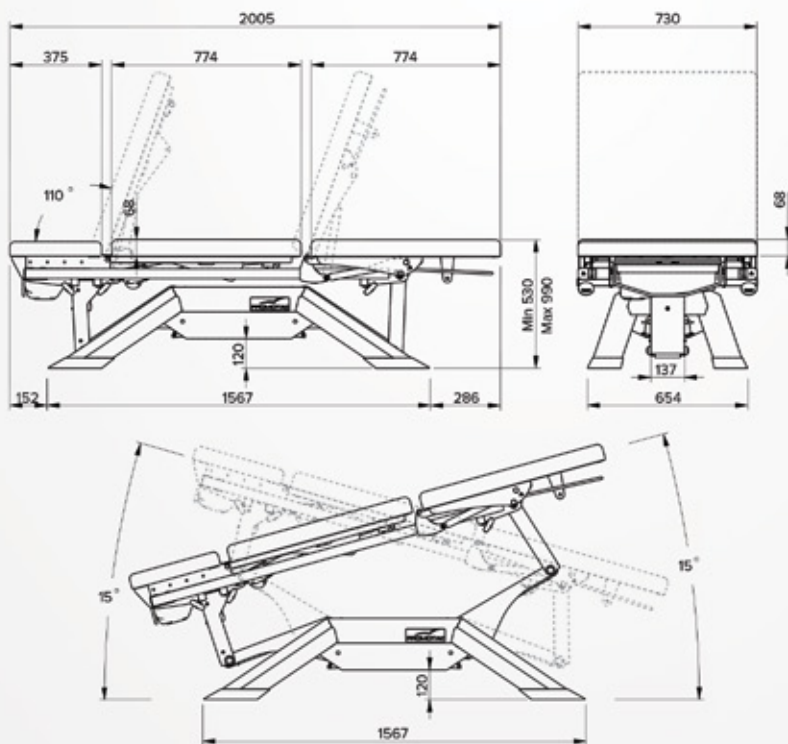
Pair of Goeple leg rests
Ref. 12845

Duolys

Model 3065-50



Model 3065-60



COLOURS FOR UPHOLSTERY & BACKING*

- | | | |
|------------------|--|---------|
| 32 - BLUE* | | CLASSIC |
| 93 - COTTAGE* | | |
| 35 - RED* | | |
| 34 - YELLOW* | | |
| 91 - WHITE | | |
| 92 - MARINE* | | VITAMIN |
| 56 - OBSCURE | | |
| 57 - ANTISTATIC | | |
| 64 - GRAPE | | |
| 67 - LAGOON | | |
| 66 - CANDY* | | COSY |
| 63 - CITRON | | |
| 80 - SKY | | |
| 81 - SEA GREEN* | | |
| 65 - LILAC* | | |
| 96 - PEWTER* | | COSY |
| 82 - MOUSE GREY* | | |
| 83 - NATURAL | | |
| 84 - CHOCOLATE* | | |

*Colour with matching backing. The other colours come with white backing.



22 rue de Saint-Denis-de-Gastines - 53500 Ernée, FRANCE
 Phone: + 33 (0)2 43 05 17 76
 Fax: + 33 (0)2 43 05 72 00



PROMOTAL.COM