

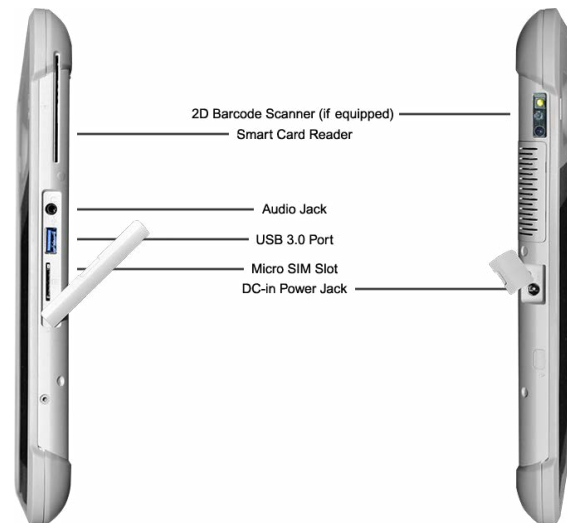
# CyberMed Rx

## 10.1" Rugged Medical Tablet



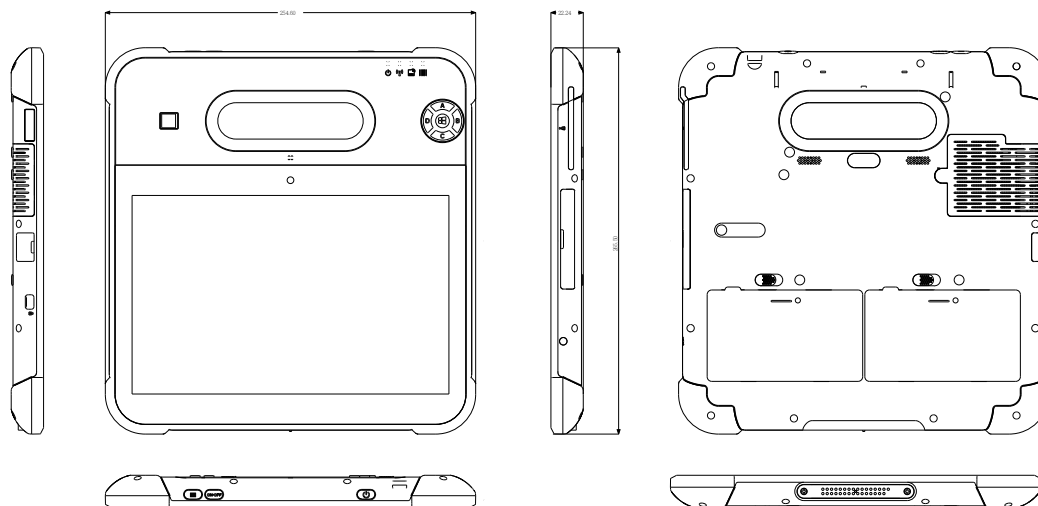
## Main Features

- 10.1" High Resolution Panel
- PCAP Multi-Touch Display
- IP65 Rated
- UL/cUL/IEC60601-1 Certified
- Full Antimicrobial Exterior



## Technical Specifications

<b>Display</b>	MVA LED Panel   1920x1200   400nits   170°/170° Viewing Angle   800:1 Contrast Ratio
<b>CPU Support</b>	5th Generation Intel Core i5/i7 Processors with vPro Technology
<b>Chipset</b>	Integrated
<b>Memory</b>	1x DDR3L 1333/1600MHz SO-DIMM sockets, populated up to 16GB
<b>Operating System</b>	Windows 10, Windows IoT, Windows 8.1, Windows 7, Linux
<b>Video &amp; Graphics</b>	Intel HD Graphics with Rotation of 0°, 90°, & 270°
<b>Touch Screen</b>	PCAP Multi-Touch with Corning® Gorilla® Glass and Antimicrobial Protection
<b>Networking</b>	Optional: 1x Gigabit (Gbe) LAN Integrated
<b>Wireless</b>	Intel Dual Band Wireless-AC 802.11 AC + Bluetooth 4.2
<b>Integrated</b>	2MP Front Facing Webcam and 5MP Rear Facing Webcam
<b>Peripherals</b>	Biometric Fingerprint Reader Smart Card Reader (ISO7816, EMV2000 L1 Certified). Optional: FIPS 140-2 Compliant Reader
<b>HDD Support</b>	1x M.2 6Gbps Serial ATA III port
<b>TPM</b>	Version 2.0 Standard. Optional: Version 1.2
<b>Sensor</b>	G Sensor Support, Display Auto-Rotate Support
<b>Power Input</b>	1 x 19VDC @ 3.78A
<b>Power Supply</b>	72W Medical Grade Power Supply, Input: universal 100~240V AC, 47-63Hz. Supports Output range: DC19V, 3.78A Meets Efficiency level 6
<b>Relative Humidity</b>	10%~90% (non-condensing)
<b>Waterproof</b>	IP65 Sealed Front Bezel and IPX1 Back Cover



## Mechanical & Environmental

<b>Dimensions</b>	10.43" x 10.00" x 0.87" (L,W,D)
<b>Weight</b>	Under 2.2lbs (1Kg)
<b>Wall Mount</b>	Supports 75mm & 100mm VESA Mounting Holes using Optional VESA Mount
<b>Environment</b>	Ambient Temperature: 0°C~40°C (operating)
<b>Certifications</b>	UL60601-1, cUL60601-1, IEC60601-1, EN60601-1, FCC-B, CE, SAR, UN38.3, MIL-STD-810G (516.6-VI. Transit drop test)

## Input/Output

<b>I/O Ports</b>	<ul style="list-style-type: none"> <li>1x USB 3.0</li> <li>1x DC-in Jack</li> <li>1x Audio Jack</li> <li>1x Docking</li> <li>1x Kensington cable lock slot with star-shaped screw</li> </ul>
<b>Audio</b>	<ul style="list-style-type: none"> <li>2x 1W Stereo Speaker</li> <li>1x Internal MIC</li> <li>1x Combo Jack</li> </ul>

## Optional Features

- Antiglare Touchglass
- 2D Barcode Scanner
- Hand & Shoulder Strap
- 4G LTE Module
- VESA | Desktop Docking Stations
- 6x Battery Multicharge Station
- Fingerprint Reader
- Integrated Imprivata SSO Certified RFID Reader
- Extended Warranties

