

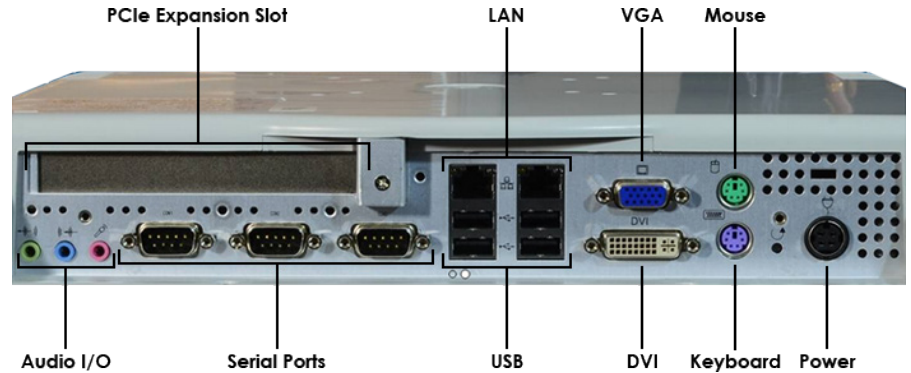
iOne MP172

17" Fanless Medical Computer



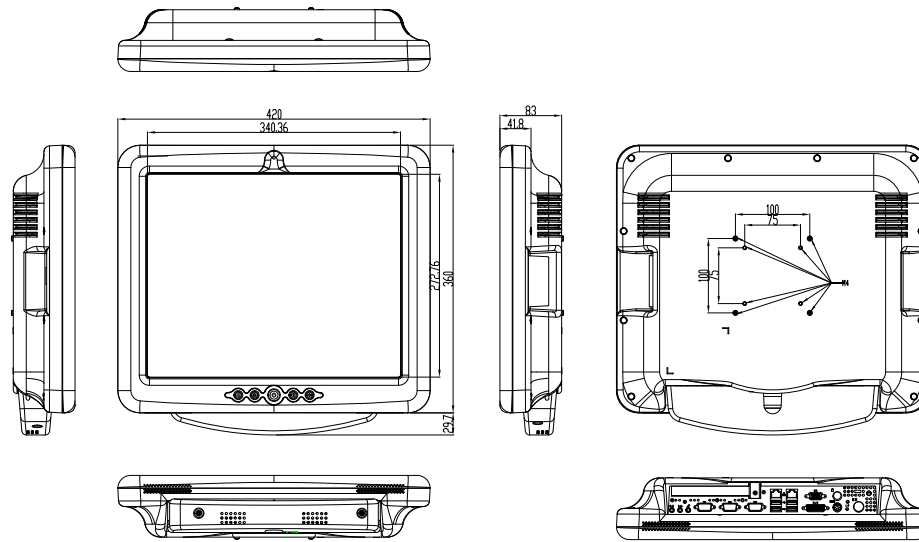
Main Features

- 17" LCD Panel
- 5-Wire Single Touch Display
- IP65 Rated
- Global IEC60601-1 Certified
- Fanless Design
- Antimicrobial Housing



Technical Specifications

Display	17" Medical Grade LCD Panel 1280x1024
CPU Support	Intel U7500 Dual Core Processor
Chipset	Intel GME965 chipset + ICH8M, 800MHz FSB & Socket BGA479
Memory	2x DDR3 800/1066MHz 204-pin SO-DIMM sockets, populated up to 4GB
Operating System	Windows 10, Windows IoT, Windows 8.1, Windows 7, Linux
Video & Graphics	Intel Graphics
Touch Screen	5-Wire Resistive Single Touch
Networking	2x Gigabit (Gbe) LAN Realtek RTL8111B
Wireless	Intel N7260 802.11 a/g/n + Bluetooth 4.0
Bios	Award BIOS, ACPI Supported.
Expansion Slots	1x PCI 2.2 Bus Slot 1x Mini-PCI Socket 1x Mini-PCIe Socket
HDD Support	SATA port with 150 MB/s transfer rate
Colors	White with Antimicrobial Germ Protection
Power Supply	100W Medical Grade PSU, Input: universal 100~240V AC. Output: 12V DC, 7.0A. System can support DC12V~28V power input.
Relative Humidity	10%~90% (non-condensing)
Waterproof	IP65 Sealed Front Bezel and IPX1 Back Cover



Mechanical & Environmental

Dimensions	16.53" x 14.17" x 3.15" (L,W,D)
Weight	15.4 lbs without base stand
Wall Mount	Supports 75mm & 100mm VESA mounting holes
Environment	Ambient Temperature: 0°C~40°C (operating)
Certifications	IEC/EN60601-1, FCC Class B, CE, UL60950, RoHs, WEEE, Energy Star 5.0, EUP 1.0

Input/Output

I/O Ports	<ul style="list-style-type: none"> 4x USB 2.0 ports 1x RS232 (add up to 3x RS232) 1x RS232/422/485 1x DVI
Audio	<ul style="list-style-type: none"> Realtek ALC286 Audio Codec 2 + 2 watts power amplifier

Optional Features

- Antimicrobial Base Stand
- 2 Megapixel Webcam
- Additional Serial Ports
- Antimicrobial Keyboard & Mouse
- Microsoft Windows 10 & 7
- Integrated Imprivata SSO
- Certified RFID Reader
- Extended Warranties

