

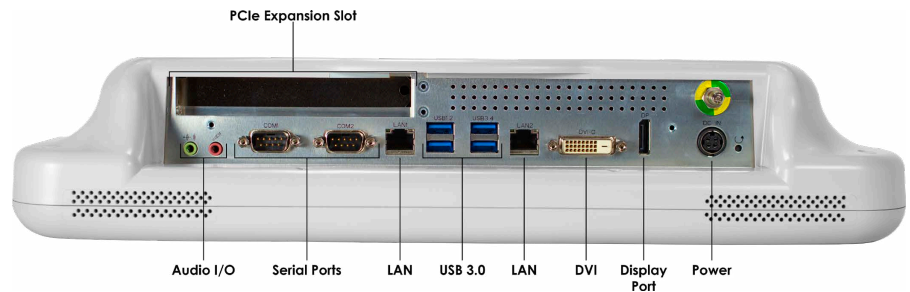
CyberMed M17S

17" Medical Computer



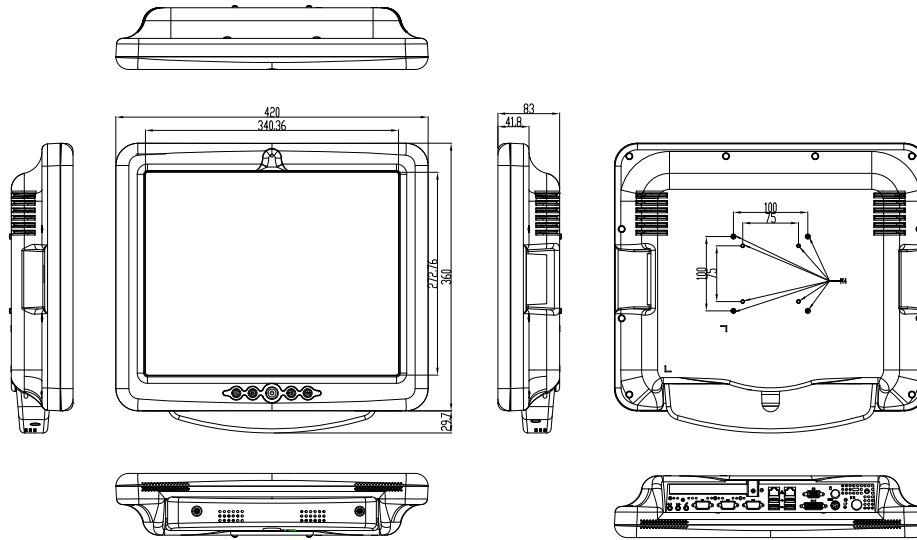
Main Features

- 17" LED Panel
- 5-Wire Single Touch Display
- IP65 Rated
- UL/cUL/IEC60601-1 Certified
- Antimicrobial Housing



Technical Specifications

Display	17" Medical Grade LED Panel 1280x1024
CPU Support	6th Generation Intel Core i3/i5/i7 Skylake Processors
Chipset	Intel Q170 Chipset
Memory	2x DDR4 2133MHz 204-pin SO-DIMM sockets, populated up to 32GB
Operating System	Windows 10, Windows IoT, Windows 8.1, Windows 7, Linux
Video & Graphics	Intel HD Graphics 530
Touch Screen	5-Wire Resistive Single Touch
Networking	1x Gigabit (Gbe) LAN Intel i219-LM 1x Gigabit (Gbe) LAN Intel i210-AT
Wireless	Intel Centrino 802.11 a/b/g/n + Bluetooth 4.0
Bios	AMI Flash BIOS supports ACPI, API, DMI, Plug & Play, and security password. Supports booting from HDD, PXE, LAN, and any USB device.
Expansion Slots	2x Mini PCIe 1x PCIe-16
HDD Support	2.5" SATA HDD/SSD bay with anti-vibration
Colors	White with Antimicrobial Germ Protection
Power Supply	100W Medical Grade PSU, Input: universal 90~264V AC. Output: 12V DC, 8.00A. Low power sleep mode saves energy.
Relative Humidity	10%~90% (non-condensing)
Waterproof	IP65 Sealed Front Bezel and IPX1 Back Cover



Mechanical & Environmental

Dimensions	16.53" x 14.17" x 3.26" (L,W,D)
Weight	13.2 lbs without base stand
Wall Mount	Supports 75mm & 100mm VESA mounting holes
Environment	Ambient Temperature: 0°C~40°C (operating)
Certifications	EN60601-1, FCC Class B, CE, UL60601-1, RoHs, WEEE, Energy Star 6.1 Compliance

Input/Output

I/O Ports	<ul style="list-style-type: none"> 4x USB 3.0 ports 1x RS232 (add up to 6x RS232) 1x RS232/422/485 1x Display Port
Audio	Realtek ALC262 High Definition Audio. Two built-in 2.0 watt stereo speakers with two audio jacks for Audio Line Out, and Microphone.

Optional Features

- 3.2 Megapixel Webcam
- TPM Module
- Additional Serial Ports
- Antimicrobial Base Stand
- Antimicrobial Keyboard & Mouse
- Integrated Imprivata SSO
- Certified RFID Reader
- Extended Warranties

