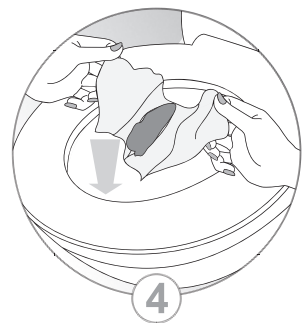
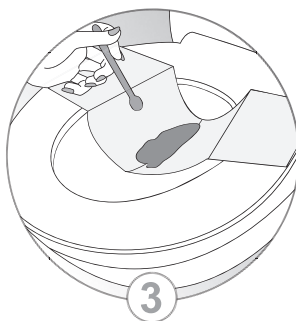
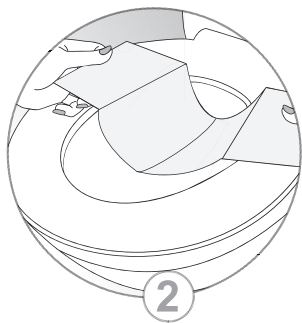
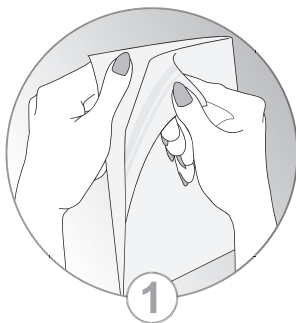




**Pull off  
carefully!**

# Stool collection aid

for the removal of stool samples



1. Slowly peel off the marked adhesive surfaces in the direction of the arrow.
2. Secure the stool collection aid in the rear part of the toilet seat without allowing it to come into contact with water.
3. Remove the stool sample as per the instructions for use.
4. After removing the sample, release the adhesive surfaces from the toilet seat and dispose of the collection aid in the toilet.