

## Colour options



B - brilliant blue



P - orange



F - ocean green



M - corn yellow

## Technical Parameters

	PURA Standard	PURA Comfort/Exclusive
Length of loading area	2100 mm	2100 mm
Width of loading area	590 mm	590 mm
Height of loading area, including upholstery		
Minimum	630 mm	610 mm
Maximum	630 mm	1100 mm
Trendelenburg position	-12°	-12°
Armrest adjustment angle		
Vertical	+15°/-30°	+15°/-30°
Horizontal	-10°/-170°	-10°/-170°
Maximum patient weight	180 kg	180 kg

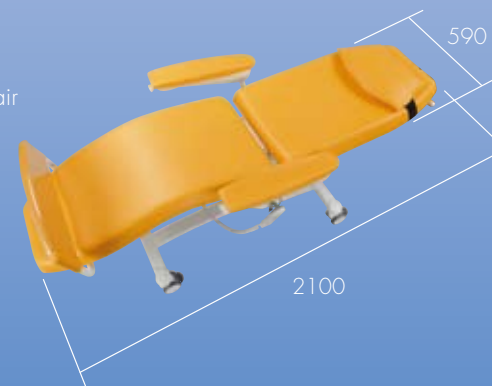
Types of PURA dialysis and oncology chair

DIA-AX – PURA Standard

DIA-BX – PURA Comfort

DIA-CX – PURA Exclusive

X – letter indicating upholstery colour



# DIALYSIS AND ONCOLOGY CHAIR



BORCAD cz s.r.o.

CZ – 739 45 Fryčovice 673  
Tel.: +420 558 640 631  
Fax: +420 558 668 087

e-mail: [borcad@borcad.cz](mailto:borcad@borcad.cz)  
[www.borcad.cz](http://www.borcad.cz)

**BORCAD**®

# DIALYSIS AND ONCOLOGY CHAIR

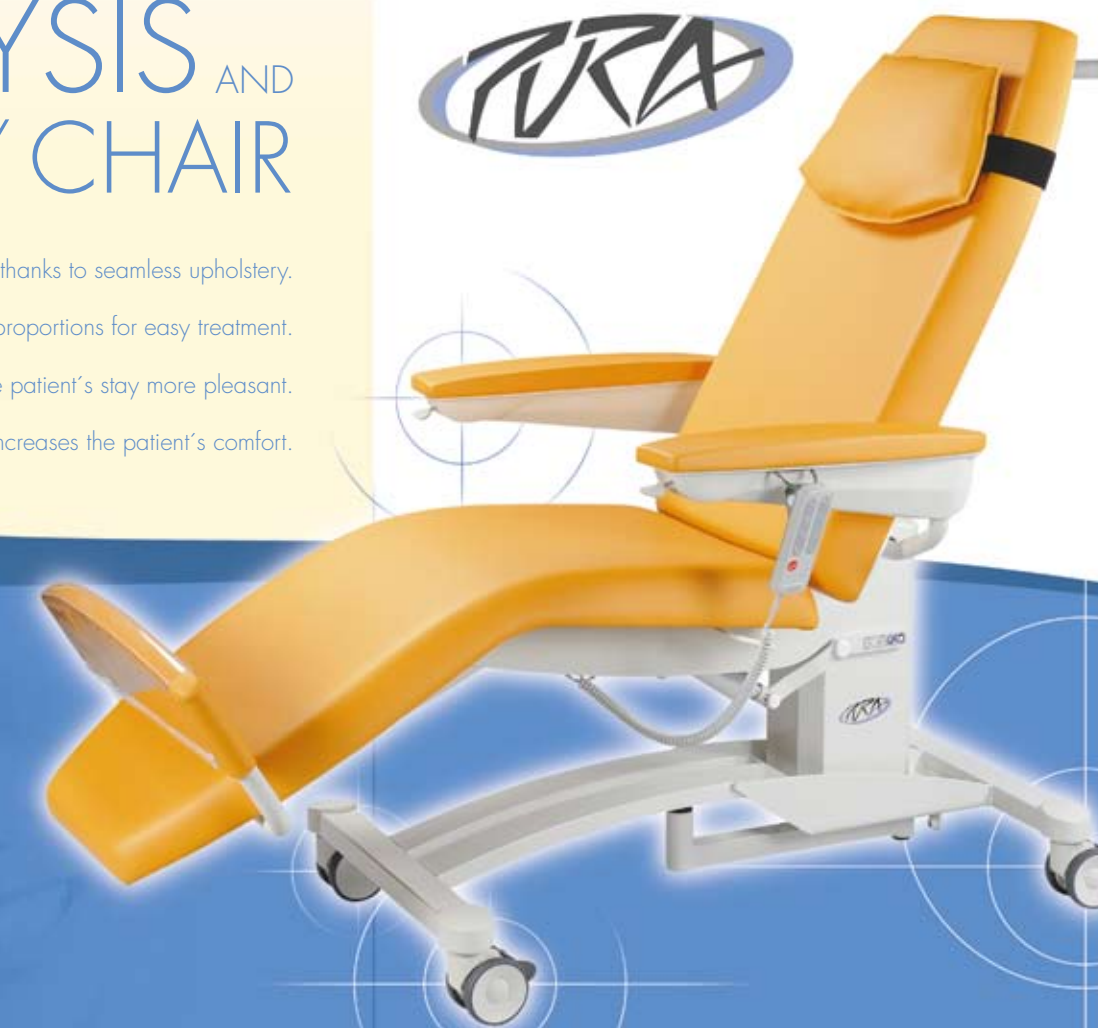


Quick cleaning thanks to seamless upholstery.

Pleasant design combined with compact proportions for easy treatment.

Very comfortable loading area makes the patient's stay more pleasant.

Wide ergonomically adjustable armrest increases the patient's comfort.



**BORCAD**®

# Dialysis and oncology chair PURA

The attractive design of PURA creates a feeling of wellbeing for the patient.

This unique product design sets high standards and increases the prestige of a dialysis centre.

Designed to take up the minimum amount of floor space to maximize treatment areas.

Unique design combined with a high degree of comfort.



Wide ergonomically adjustable armrest increases the patient's comfort and independence. Armrest could be controlled by client which makes the work of hospital staff easier.



Removable armrests for transporting the chair through narrow areas.



Unique foot support contributes to the patients comfort and allows the patient to change position with the minimal amount of effort.



Compact seamless areas speed up cleaning and enable disinfection with no compromise.



Unambiguous and easy control without time consuming training.

The hand control keyboard can be locked using magnetic key.



## Versions of the PURA chair

	PURA-Standard (DIA-AX)	PURA-Comfort (DIA-BX)	PURA-Exclusive (DIA-CX)
Height adjustment	 Fixed height	 Adjustable height	 Adjustable height
Leg rest leaning	Leg rest fixed connected with the sitting part	Leg rest leaned independently of the sitting part	Leg rest leaned independently of the sitting part
Castor versions	 Average of 75 mm	 Average of 100 mm	 Average of 100 mm
Foot support controlled by	 staff	 staff as well as patient	 staff as well as patient
Chair fixation	Each castor is being braked separately	Each castor is being braked separately	All castors are braked by the central brake

## Accessories



DIA-ZP-009.X Adjusting foot support



DIA-ZP-004.X Head rest



DIA-ZP-001.X Head rest, semisecular



DIA-ZP-002 Handrail



DIA-ZP-003 Infusion stand holder



SLA-ZP-003 Telescopic infusion stand



DIA-ZP-006 Lamp supplied along with handrail



DIA-ZP-010 PVC cover for foot support