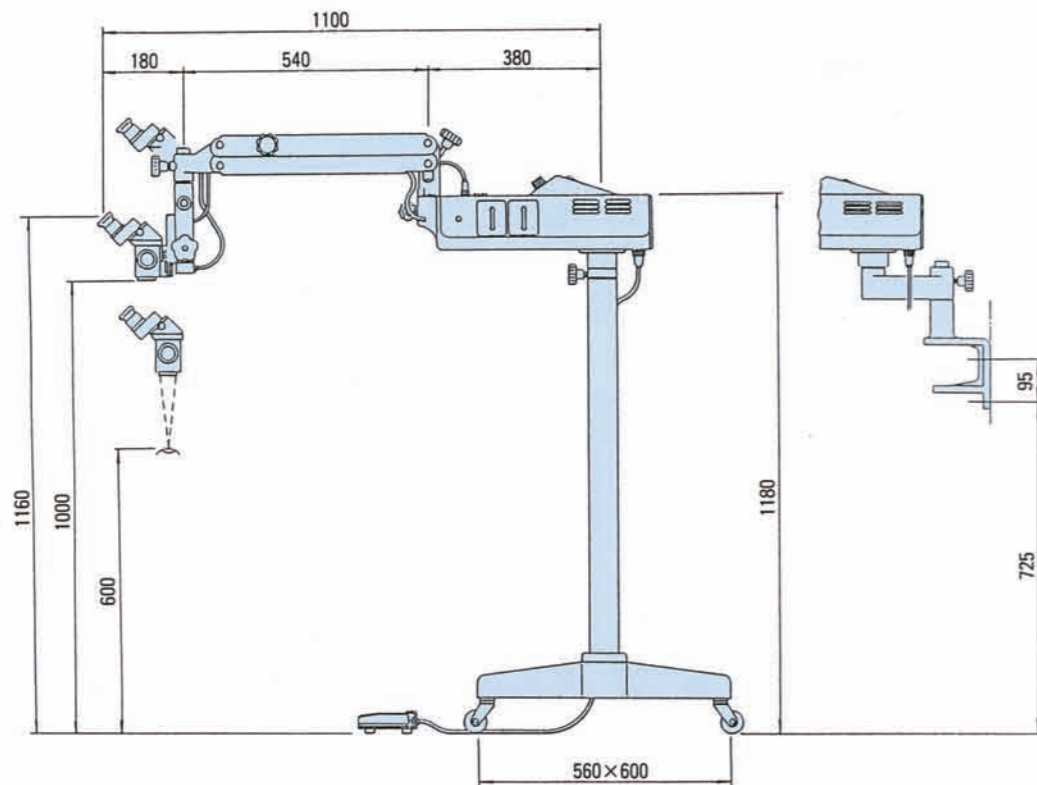


Specifications

Model	OM-5		
Microscope section			
Binocular tube	45° inclined binocular tube with converging optics		
Eyepieces	12.5×		
Magnification changes	Built-in 3-step magnification changer, manual change		
Factor	0.6×	1×	1.6×
Total magnifications	4.6×	7.7×	12.3×
Real fields of view	43.5mm	26mm	16.3mm
Objective	F=175mm (for Ophthalmology) F=200, 250, 300, 350mm (for general micro-surgical fields)		
Focusing speed	Fine movement at 2.5mm/sec., stroke 36mm		
Illumination system			
Type	Coaxial illumination by optical light-guide system		
Light source	15V/150W halogen lamp		
Illumination control	Continuous adjustment		
Field of illumination	45mm		
Filters	Heat-proof filter, cobalt blue filter and green filter		
Intensity of illumination	80,000 lux		
Stand section			
Type	Floor-stand type, table-base type and wall-bracket type		
Vertical movement range of counterbalanced arm	400mm		
Height (eye-point)	960-1360mm		
Radius of rotation of arms	920mm		
Base size	600mm wide × 560mm long		
Weight	60 kgs		

*Kindly specify the stand type (S), table type (D) or wall type (W) on order.

*Kindly note that the oblique illuminator, slit illuminator and assistant's binocular microscope are only available with objective F=175mm attached.



Kindly note that specifications may vary as improvements are carried out in the design.



OPERATING MICROSCOPE

MICROSURGICAL INSTRUMENTS

MODEL OM-5



Aiming at new levels in quality

TAKAGI SEIKO CO., LTD.

330-2 IWAFUNE, NAKANO-SHI, NAGANO-KEN, 383-8585, JAPAN
TEL. +81-269-22-4511 FAX. +81-269-26-6321
URL: <http://www.takagi-j.com> E-mail: info@takagi-j.com



CB97013 Rev.A Printed in Japan 7.2005 KY

“EASY TO OPERATE”

Easy installation plus verification procedure take it in one's stride facility. It brings high performance, reliability, availability and serviceability. MODEL OM-5 Operation Microscope from **TAKAGI** meets the requirements after taking everything into consideration. We reached this conclusion economically. Enjoy OM-5 with amenity in optical mechanics !
 MODEL OM-5 Operation Microscope that has been completed for ophthalmology but most suitable for the surgical treatment sufficiently adaptable in operating room universally.



Universal and Versatile Microscope OM-5

Irrespective of room or purpose:

- Consulting room, operating room or.....
- Ophthalmic surgery, Neurosurgery or.....
- Outpatient, emergency case or.....

Easily Convertible from Ophthalmic Type to Universal Type
 By interchanging the binocular tube and objective lens, it is available for Neurosurgery, Otolaryngology and Plastic Surgery



Total magnifications and real fields of view

Objectives f (mm)	Magnifications		
	0.6 ×	1.0 ×	1.6 ×
175	5.3(37.3)	8.9(22.4)	14.2(14)
200	4.7(42.7)	7.8(25.6)	12.5(16)
250	3.8(53.3)	6.3(32)	10(20)
300	3.2(64)	5.3(38.4)	8.5(24)
350	2.7(74.7)	4.5(44.8)	7.2(28)

*The figures in () show diameters of the real fields of view in millimeter when a straight binocular tube f=125mm, with eyepieces 12.5 × is used.

*F = 175mm: Standard for Ophthalmology
 *F = 200, 250, 300, 350mm: For general use

* For E.N.T. use, we recommend you to order the tilttable coupling.

When you feel an "convenience" with this microscope, what do you discover...?

DISCOVER NO.1 MICROSCOPE AFFECTIONATE TO EYE

Fusing image facility

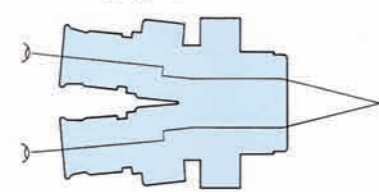
With use of the converging optics with visual axis slanted by 6 degrees inward, the fusing image has been made feasible for a doctor claimed for diplopia so far and even for a beginner for microscope. It has become suitable eye positioning for operation.



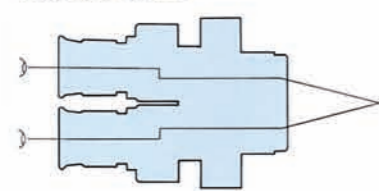
High resolution and three magnification changes

The drum type magnification changing system enables a high resolution for total magnifications of 4.6x, 7.7x and 12.3x and furthermore the dial type P.D. adjustment mechanism, that is firstly available on this grade of microscope, a reasonable operating circumstances are permissible.

Converging optics

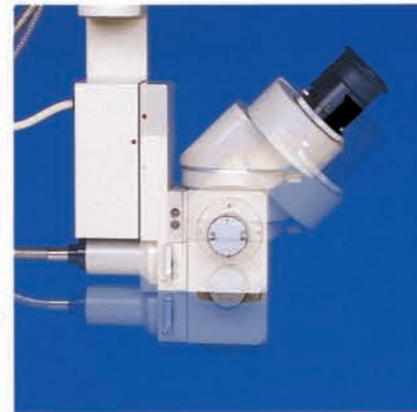


Parallel optics



Motor driven focusing mechanism

By aid of foot switch operation, a maximum of 35mm focusing adjustable by motor driven focusing mechanism so it can be made just focus to the portion desirable to see.



DISCOVER NO.2 THE ORIGINAL BALANCE ARM MECHANISM.

Taking advantage of the original balance arm mechanism extending up to the maximum stroke of 400 mm, the operation microscope can be moved the most suitable position with Zoom and movable fixture smoothly and coordinating by manual operation to any optional establishment ent and quickly adjustable for arm balancing adjustment.



Operating handle knob is attached with detachable sterilized cap.

DISCOVER NO.3 COLD LIGHT COAXIAL ILLUMINATION

Cold light coaxial illumination with a high intensity 150W halogen lamp and light guide is adopted. Not only the coaxial illumination on the main, even the slit illumination to establish the optional illumination is adjustable steplessly upto its most suitable brightness. Cobalt blue and green (red-free) filters are built-in. Thanks to its built-in spare lamp unit even when the lamp bulb in use is burnt out, it can be replaced swiftly.



DISCOVER NO.4 SYSTEMATIC ACCESSORIES



TV camera adaptor



35mm photographic kit



Straight binocular tube

*When the TV camera adaptor or 35mm photographic kit is installed, a beam-splitter is separately required.



Slit illuminator



Oblique illuminator



Assistant's binocular microscope

*When the slit illuminator, oblique illuminator or assistant's binocular microscope is installed, a mount ring is separately required.

System Chart

