

# PDC-190-B

## 19" Medical Display Console



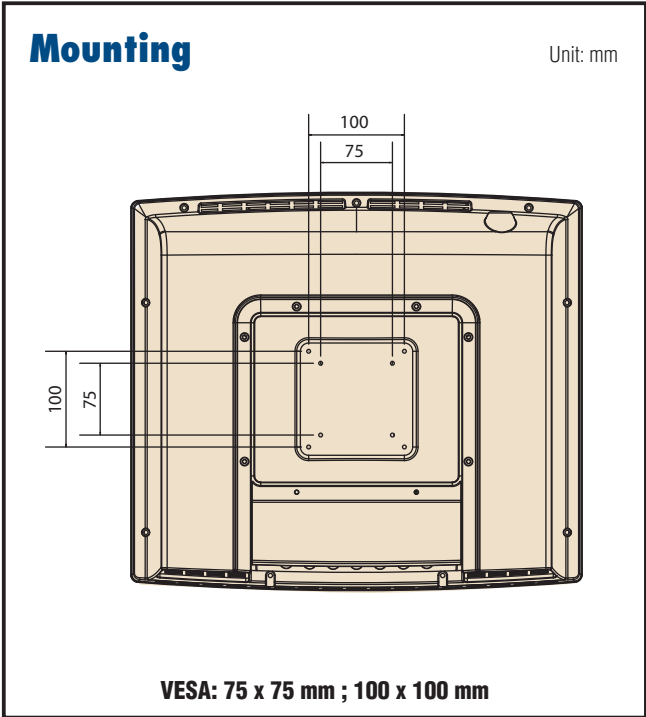
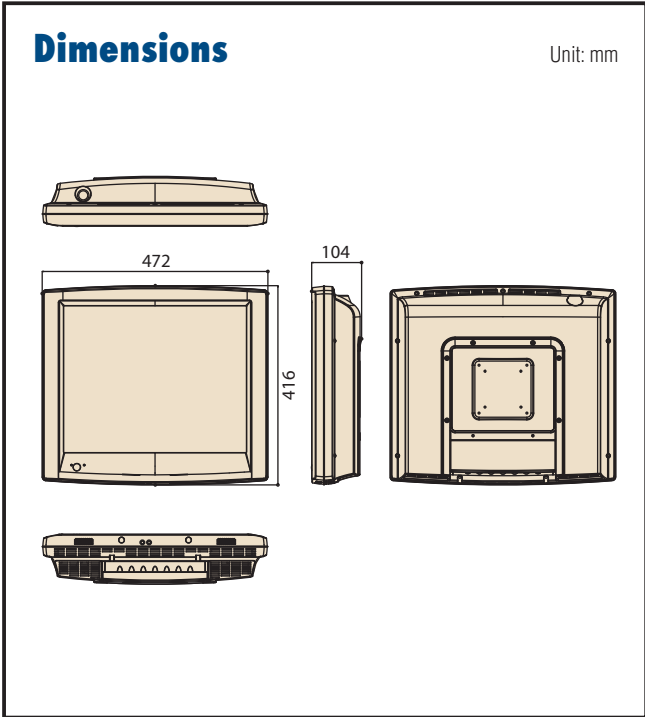
### Features

- IPX1 water resistant enclosure with IP65 dust-proof tight front panel
- UL60601-1/EN60601-1; CE, FCC Class B; CCC compliant
- Internal preset compatible to DICOM part 14
- High contrast ratio - 1300:1
- High definition medical grade display
- AR protection glass with good transparency
- Compatible with monitoring equipment
- Fanless design - keeps unit clean and controls infection
- Easy to mount - Supports 75 mm and 100 mm VESA mounting
- Optional touch screen feature available



### Specifications

Display	Display Type	19" TFT LCD
	Max. Resolution	1280 x 1024
	Max. Colors	16.7 M
	ResponseTime	20 ms
	Viewing Angle	178/178°
	Luminance	300 cd/m <sup>2</sup>
	Preset Timing	60 ~ 75 Hz
	Contrast Ratio	1300:1
I/O Ports	VGA x 1, DVI-D x 1, Line-in x 1, Speakers x 2	
Power Supply	Output Voltage	+12 V <sub>DC</sub> , 5A max. (50 watts)
Touchscreen (Option)	Type	Analog Resistive
	Controller	USB
	Durability	30 million touches
Environment	Temperature	0 ~ 40° C (Operating)
	Humidity	10 ~ 95% @ 40° C (non-condensing)
	Vibration/Shock Resistance	5 ~ 500 Hz, 1G acceleration/20G half sine, 11 msec duration
	Water/Dust Resistance	Entire system IPX1 rated, IP65 dustproof tight front panel
Physical Characteristics	Dimensions (W x H x D)	472 x 416 x 104 mm (17.18" x 14.82" x 3.29")
	Weight	7.4kg (16.31 lb)



### Packing List

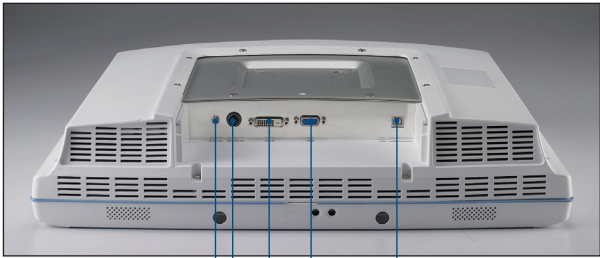
Description	Quantity
User manual	1

### Accessories

Part Number	Description
1702002600	Power cord 1.8M (USA)
1702002605	Power cord 1.8M (Europe)
PDC-190-STAND	Desktop stand for PDC-190

### Ordering Information

Part Number	Touch Panel	Adapter & Cable	Power
PDC-190-DC-BTE	Y	Y	DC
PDC-190A-DC-BE	-	-	DC
PDC-190A-DC-BTE	Y	-	DC



A B C D E

- A. Audio In
- B. 4-Pin mini-DIN DC Connect (12V)
- C. DIV-D Port
- D. D-sub VGA Port
- E. Touch control by USB B type