

Ophthalmic Unit  
**COMPACT**

**NOU2**

TYPE



**PRODUKT**

**POLSKI**

  
**NETZ**

# Specification

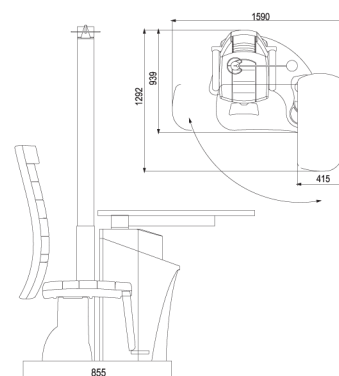
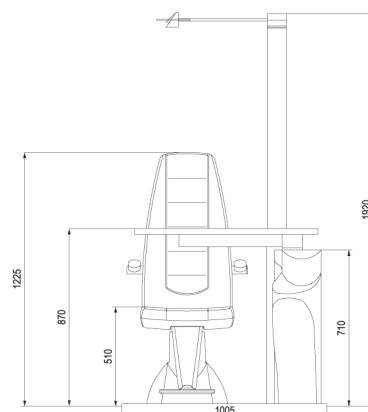
Height to table top	870 mm
Height of table top with top elevation option	820-920 mm
Width of floor base	855 mm
Length of floor base	1000 mm
Height of the column from floor level	400 mm
Range of table top horizontal movement	1880 mm
Angle of table top arm rotation	90 deg
Dimensions of table top	895 x 415 mm
Loading capacity	60 kg
Halogen lamp on the column	35 W
Weight(w/o chair)	130 kg
Voltage(standard)	230V / 50 Hz
Max. power consumption	600 V A

## Optional equipment :

Possibility of table top blockade in each position

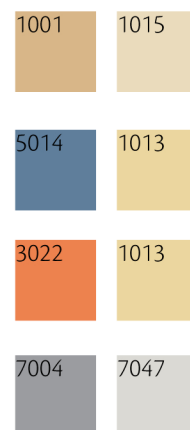
## Accessories

- ▣ chin rest adapter extensible – mounted to the table top
- ▣ chin rest adapter extensible – mounted to the frame
- ▣ chin rest adapter fixed
- ▣ cable carrier 230V
- ▣ chart projector shelf
- ▣ chart projector holder
- ▣ cushion for children (for chair)



## dominating colours for units

(according to RAL standard)



Distributor:

[www.netzpolska.pl](http://www.netzpolska.pl)