

# AMiS-60

## Advantech Computerized Nursing Cart

**NEW**



CE FCC

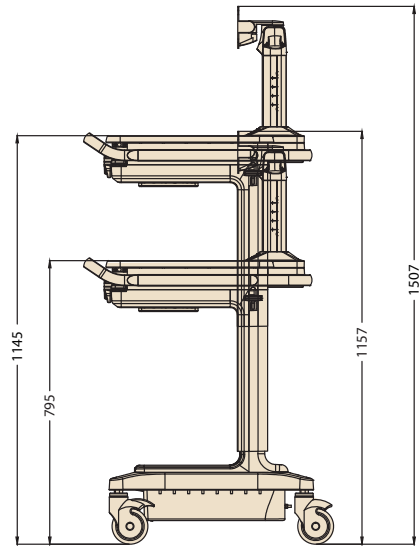
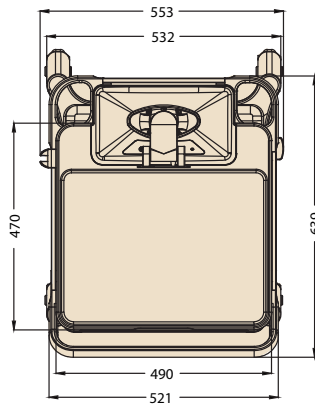
### Features

- Highly-integrated computerized medical cart for mobile health care solutions
- Highly expandable for additional medication and storage box
- Ergonomic design for ease of use, cleaning and moving
- Great flexibility for customization / configuration / integration
- Designed for safety / reliability / easy maintenance
- Elegant and tidy design/easily adjustable table height
- Long battery life, easy to manage

### Specifications

Embedded Computing System	CPU	Intel Atom D510 1.66 GHz with 1M L2 cache	
	Memory	2 GB DDR2 SODIMM	
	Storage	2.5" SATA HDD 160 GB	
	WLAN	802.11a/b/g/n	
	Operating System (Optional)	Supports Microsoft XP Professional, XP Embedded, Vista, Windows 7	
Base Cart	Footprint	24.7" x 20.5" (627.3 x 520.7 mm)	
	Casters	Medical casters, two front locking, two non-locking	
	Height Adjustment Range	31.3" ~ 45.1" (795 ~ 1145 mm)	
	Display Holder	Standard VESA Mount (VESA 75/75; VESA 100/100)	
	I/O Ports	USB 2.0 ports x 4, Gigabit Ethernet Interface (RJ-45) x 1	
	Dashboard	Computer Power Button LED for Battery Capacity Indication	
	Work Surface	18.5" x 19.3" (469.9 x 489.9 mm) Weight Capacity: (based on std. 400N) Gas Spring: Up to 17.6 lb/8 kg	
	Cart Weight	121 lb / 55 kg w/o display, computer and power module	
Keyboard & Mouse Area	Keyboard Size: Up to 380 x 140 x 25 mm		
	Keyboard LED Light Mouse Tray		
Accessory Extend Used	Neck: Dove Tail		
	Work Surface: DIN Rail (Right, Left and Rear)		
Power Module	Battery Capacity	400 Wh	
	Power Input	90 V ~ 264 V, 47 ~ 63 Hz AC Input	
	Battery Type	LiFePO4 (Lithium-Iron Phosphate; LFP)	
	Battery Runtime	> 6 Hours (Depends on system configurations)	
	Battery Charge Time	3 ~ 6 Hours	
Certifications	EN60601-1, UL60601-1, CE, FCC Class B, Medical CB		
Battery Management Software	AMiS_Link	Battery Capacity Indicator	
		Alerts (battery capacity, temperature, warning)	
Display (Optional)	Battery Lifecycle Statistics		
	Report & Log File		
	Client Installation		
	Server Installation (Optional)		
	Multi-language support, including Chinese Traditional, Chinese Simplified, English, German and Dutch		
Display (Optional)	Size	17" 19"	
	Type	LCD LCD	
	Resolution	1280 x 1024 1280 x 1024	
	Touchscreen	Analog Resistive Type (Optional) Analog Resistive Type (Optional)	

## Dimensions



Unit: mm

## Display Holder I/O



Gigabit LAN x1



USB 2.0 x 4

## AMiS\_Link



Battery capacity

Battery status



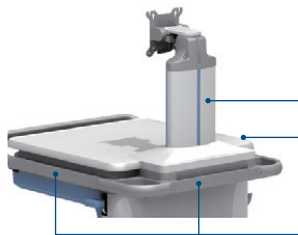
Alert condition

Battery capacity

Battery temperature

## Din Rail

For accessory and device integration



Arm based Din Rail

Side Din Rail

## Battery

IPS-400 LiFePO4 Battery



## Ordering Information

Basic Cart	Embedded Computer	Included Items		
		Gas Spring	Battery	Power Cable
Part Number				
AMIS-60-B43-B1BE	Atom D510	430N	400 W	1.8M (USA)
AMIS-60-B43-B1AE	Atom D510	430N	400 W	1.8M (Europe)
AMIS-60-143-B1AE	-	430N	400 W	1.8M (Europe)
AMIS-60-B43-01CE	Atom D510	430N	-	1.8M (China)

## Optional Accessories

Part Number	Description
PDC-190A-DC-BE	19" Medical Display
PDC-190A-DC-BTE	19" Medical Display with Res. Touch Screen
PDC-170A-DC-BE	17" Medical Display
PDC-170A-DC-BTE	17" Medical Display with Res. Touch Screen
1700018927	Power Cable (USA) 1.8M (Length)
1700018929	Power Cable (Europe) 1.8M (Length)
9680013580	400 W Battery