

PIT-1703

17" Healthcare Infotainment Terminal with Intel® Atom™ D525 Processors/SandyBridge i7 Processors



Features

- Specialized Design focuses on Healthcare Application
- Slim Design achieves the balance between Fanless & Atom Dual-Core Performance
- Isolated I/O as COM & Lan
- Easy cleaning Touch Panel complies with IP65 protection
- VESA 75/100 mm Standard Mounting Holes
- Programmable Touch Hotkeys
- Rich Options - Handset/ RFID/ Smart card reader/ Barcode Scanner/ MSR
- ITE & Medical Dual Certificate (EN-60950 & EN-60601-1)



Introduction

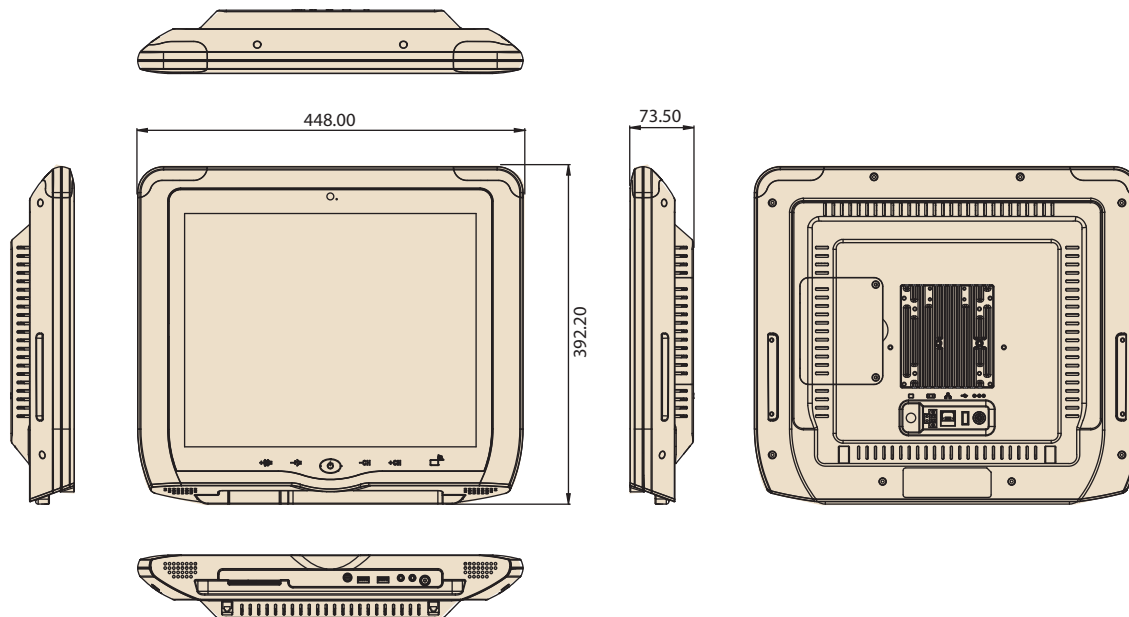
PIT-1703 which equipped a 17" multi-function touchscreen, WiFi, RFID, handset, smart card reader and 2 megapixel camera is a member of PIT family of Advantech. PIT-1703 can provide patients with various entertainment programs such as TV, movies or computer games because of Microsoft Windows XPE Embedded and Intel Atom Dual Core processor. Patients can easily communicate with families by internet because 2 megapixel camera, WiFi and Ethernet (RJ-45) connectivity are standard functions of PIT-1703. Identification recognition for both hospital staff and patients is possible with the RFID and smart card reader.

Specifications

Hardware	CPU	Intel PineView (D525) 1.8 GHz/SandyBridge (i7) 1.5 GHz
	Front Side Bus	Supports FSB 800 MHz
	System Chipset	Intel D525 + ICH8M/Intel i7 + Cougar Point
	Memory	up to 4 G (Optional)/up to 16 G (Optional)
	Storage	CF or SATA HDD interface (Optional)
	Camera	2MP CCD Module (Optional)
Display	Bus Expansion	Mini PCIe x 2
	Size	17" W TFT
	Max Resolution	1280 x 1024
	Luminance	350 cd/m ²
Touchscreen	Backlight MTBF	50,000 hrs
	Type	Analog Resistive
I/O	Light Transmission	80%
	Durability	30millions
	USB Port	3 (Rown x 2, Rear x 1)
	Smart Card Reader	1
	RFID	1 (Optional)
Audio	Line out	1
	Microphone in	1
Network	Speaker	2 W x 2
	Microphone	1
Hotkey	LAN	10/100/1000 RJ45 x 1
	WLAN	802.11 b/g/n (Optional)
Emergency Alarm	LED Light Indicator	5
Software	Mini-PCIe Slot	x 2
	Operating System	2 for WLAN / TV Tuner
Mechanical	Mounting	Win 7, XP/ Linux Fedora, Ubuntu (Optional)
	Dimensions (W x H x D)	VESA 75/100mm
Options	Weight	448 x 393 x 73.5 mm (17.64" x 8.31" x 2.89")
	MSR	6.5 kg
	Barcode Scanner	Optional
	TV Tuner	Optional (1D/2D)
	Handset	Optional (DVB-T/ATSC)
Power Supply	Remote Control	Optional
	Swing Arm	Optional (9 Keys)
Environment	AC/DC Adapter	Optional
	Input Voltage	100 ~ 240 V _{ac} , 1.1 ~ 0.45 A @ 47~ 63 Hz
	Output Voltage	IT: 19 V _{dc} , 3.95 A MAX; Medical: 16 ~ 21 V _{dc} (SET UP 19V), 2.63 A MAX
	Operating Temperature	0 ~ 40° C
Certifications	IP Rating	Front Panel :IP65 ; IPX1 All around
	Vibration	1 G
	Shock	50 G
Certifications		CE, FCC, CCC, CB, ITE UL, EN 60950 & EN 60601-1 approved

Dimensions

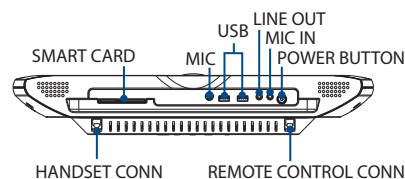
Unit: mm



Ordering Information

Part No.	Description
PIT-1703-ASTCE	PIT-1703 (D525) + 1 G RAM, 160 HD, WiFi, RFID, 2 M Camera, XPE, ITE Adapter
PIT-1703-ASTOE	PIT-1703 (D525) + 1 G RAM, 160 HD, WiFi, RFID, 2M Camera, XPE, Medical Adapter
PIT-1703-ISTCE	PIT-1703 (i7) +1 G RAM, 160 HD, WiFi, RFID, 2 M Camera, XPE, ITE Adapter
PIT-1703-ISTOE	PIT-1703 (i7) + 1 G RAM, 160 HD, WiFi, RFID, 2 M Camera, XPE, Medical Adapter

Bottom I/O Placement



Accessories

Part Number	Description
HIT-1702-HSKE	PIT-1702 Handset Kit
HIT-1702-RCKE	PIT-1702 Remote Control Kit (9 Keys)
HIT-1702-VFK1E	PIT-1702 TV Tuner (EU: DVBT+Analog, Hybrid)
HIT-1702-VUK1E	PIT-1702 TV Tuner (US: ATSC+Analog, Hybrid)
PIT-ARM-WM0E	PIT Series Swing Arm (Wall Mount, 1 - 6 KG)
PIT-ARM-WM1E	PIT Series Swing Arm (Wall Mount, 6 -12 KG)

Rear I/O Placement

