

## Specifications

<b>Measurement Range</b>	Sphere	-25D to +25D	(0.01/0.12/0.25 step)
	Cylinder	0 to ±10D	(0.01/0.12/0.25 step)
	Axis	0 to 180°	(1°)
	Addition	0 to +10D	(0.01/0.12/0.25 step)
	Prism	0 to 10△	(0.01/0.12/0.25 step)
<b>UV transmittance measurement</b>	0 to 100%	Measurement step: 1%	
<b>Pupillary distance measurement</b>	45 to 85mm	Measurement step: 0.5mm	
<b>Measurable lens</b>	Unprocessed lens (diameter: 100mm) Frame lens	} Single lens, multifocal lens, progressive lens	
	Hard contact lens Soft contact lens	} A special accessory is required	
<b>Lens power measurement wavelength</b>	650nm		
<b>UV transmittance measurement wavelength</b>	375nm		
<b>Power rating</b>	100—240V 50/60Hz		
<b>Consumption</b>	60VA		
<b>Printer</b>	Thermal printer (paper width 58mm)		
<b>Monitor</b>	Color LCD monitor (5.7Inches)		
<b>Dimension/weight</b>	218(W)×280(D)×507(H) (476: when the monitor is stored) Approx. 6.8kg		
<b>Environmental condition of use</b>	Temperature: 10°C to 40°C Humidity: 10 to 95%HR (no dew condensation allowed)		

Design and specifications are subject to change without notice.

Manufacturer

**Rexxam**  
Rexxam Co.,Ltd.

Kagawa factory  
958, Ikeuchi, Konan-cho,  
Takamatsu, Kagawa 761-1494, Japan

Contact

MEC Sales Division 2-8-4, Kandatsukasa-machi, Chiyoda-ku Tokyo, 101-0048, Japan  
TEL 81-3-3256-7701 FAX 81-3-3256-7702  
E-mail: eye@rexam.co.jp URL: <http://www.rexxam.co.jp> URL: <http://www.shin-nippon.jp>

Distributed by



Management System  
ISO 9001:2008  
ISO 13485:2003  
[www.tuv.com](http://www.tuv.com)  
ID: 0910589071



**SHIN-NIPPON**  
by **Rexxam**

A u t o L e n s m e t e r

# SLM-6000

A U T O L E N S M E T E R S L M - 6 0 0 0



# Easy to handle, Friendly to use

*User-Friendly designed SLM-6000 is a product that will provide you a comfortable usage.*

- 1 TFT screen visible from any angle
- 2 EASY to read UV transmittance
- 3 Progressive Graph assistant
- 4 ...and many other unique features!!



## 1 Clear and Comfortable TFT Screen



### Tilt Screen

Tilting color screen provides you with clear view from any position such as sitting and/or standing.



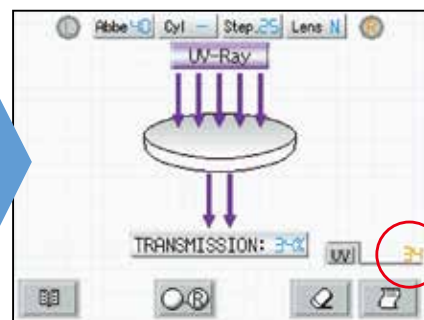
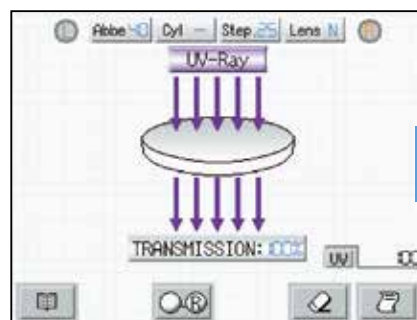
### Brand NEW TFT Screen

5.7inch TFT color screen visible from any angle. Capability of much more dynamic expression.

## 2 Hi-Speed UV measurement



Just holding the lens through the sensor, the display will easily indicate the UV measurement by the number of arrows (20% per arrow). Significant feature of 1% range measurement with built-in data memory.

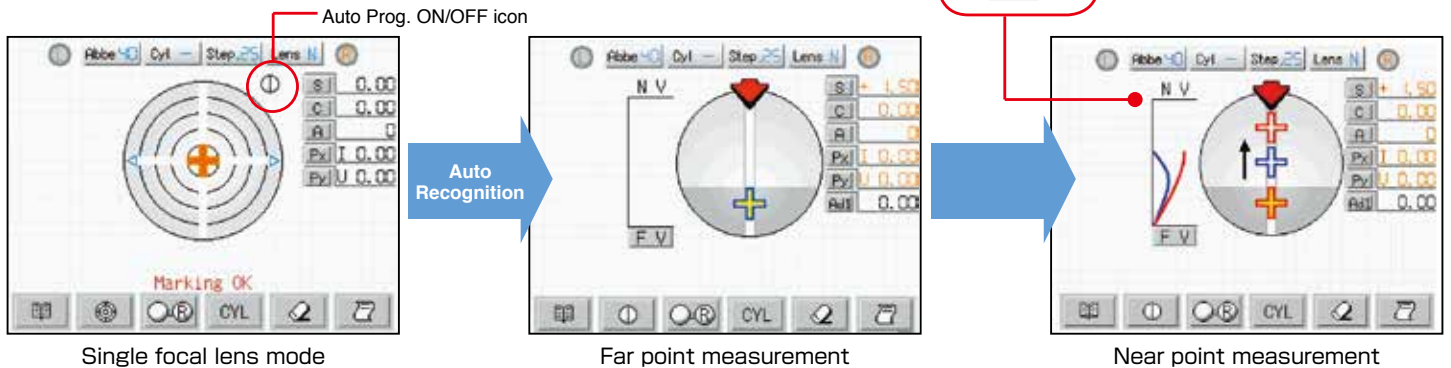


# AUTO LENSMETER

## 3 Graphing Support for Progressive Lens

### Progressive Auto Function

SLM-6000 recognizes progressive lens automatically and start the progressive measuring mode by just placing the lens.



## 4 "Dual Nose Pad" PD Measurement

With our unique "Dual Nose Pad" the PD measurement is much quicker and easier. Higher work efficiency on left and right lens measurement.



### Customize Button

To work efficiently, frequently used function can be memorized in the customize button

### Speedy Thermal Printer

Quick data print with built-in printer.  
Easy to reload printing paper.  
(Paper size: 58mm)

### Data Output

RS-232C and USB interface for expanded compatibility.

### Contact Lens Measurement

By using the enclosed special contact lens holder mount, you can comfortably measure