



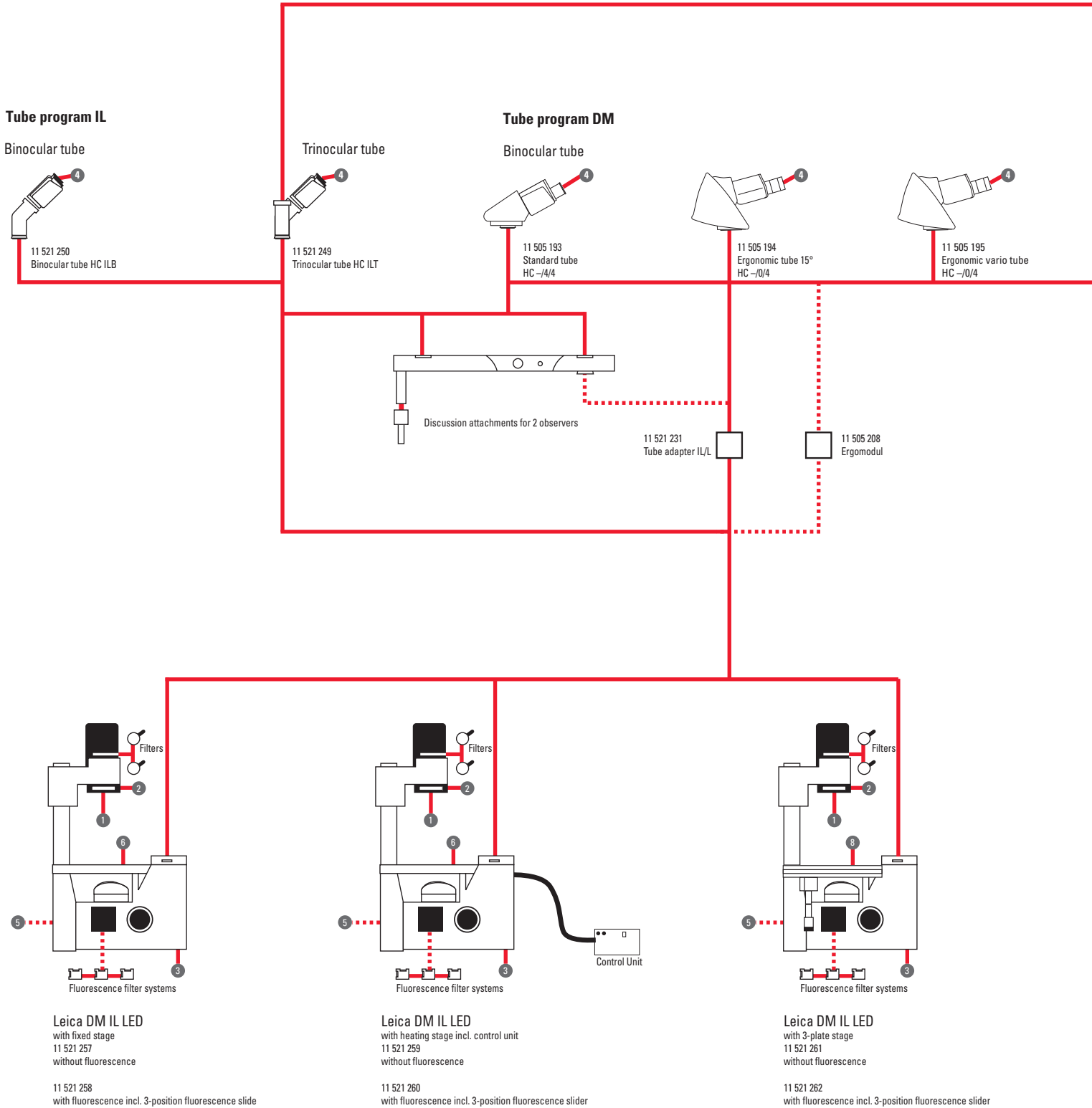
Leica DM IL LED

Technical product information

Inverted microscope for routine and laboratory microscopy
in cell biology and medicine

Living up to Life

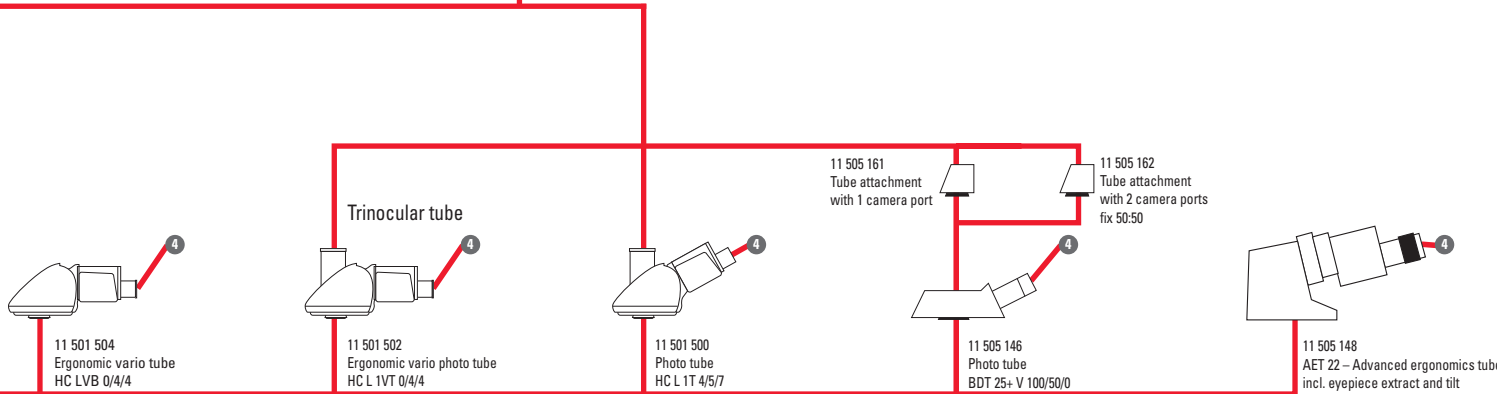
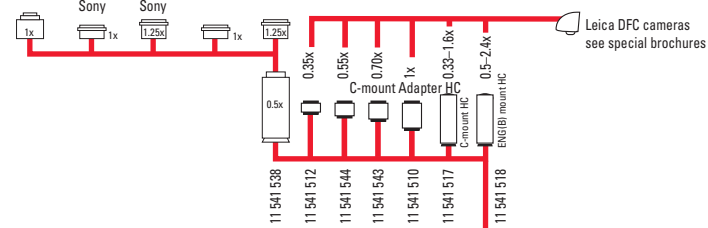
Leica DM IL LED system overview



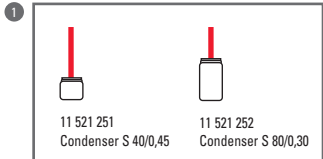
TV systems

11 543 706 11 543 702 11 541 539 11 541 540 11 541 541

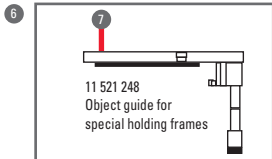
C-mount 1/2 B-mount 1/2 B-mount 2/3 F-mount 1/2 F-mount 2/3



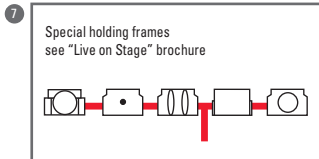
Condensers



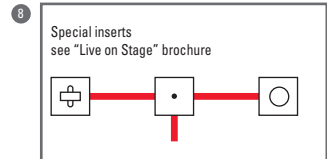
Object guide



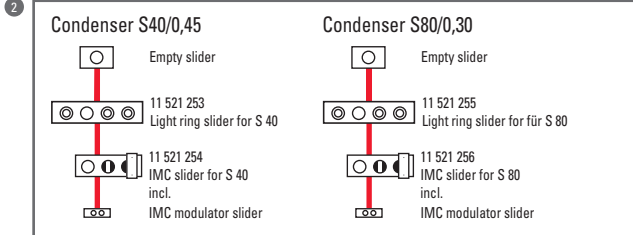
Holding frames for object guide



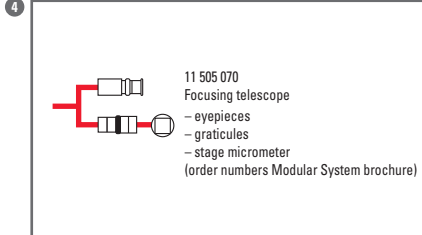
Inserts for 3-plate stage



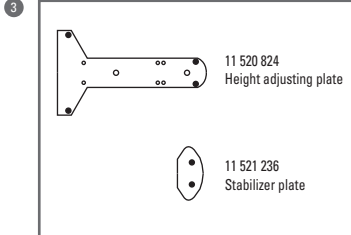
Slides



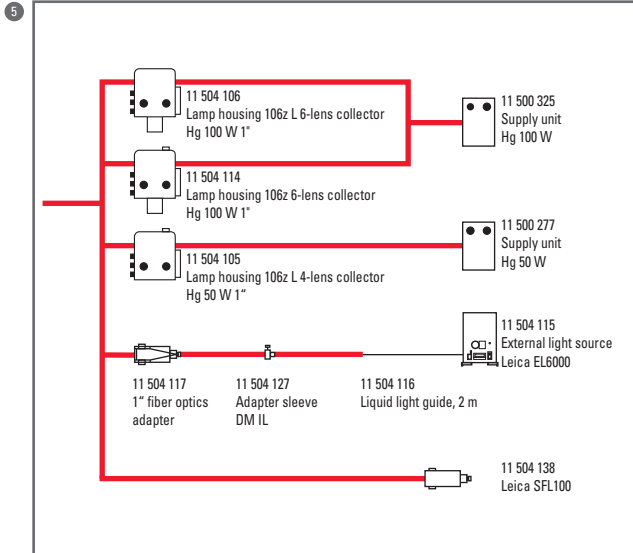
Eyepieces



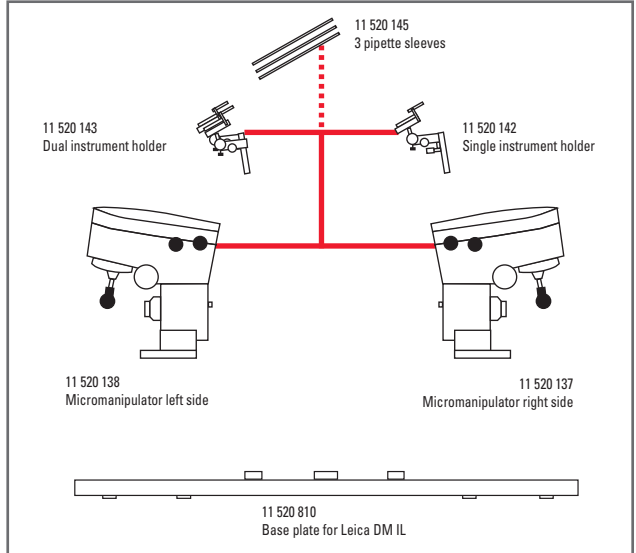
Plates



Fluorescence lamp housings



Micromanipulation



The Leica DM IL LED “Package Special”

Transmitted-light illuminator

- 5 watt LED illumination
- Automatic adjustment of illumination to the contrast methods
- “Auto-off” function
- Illuminated on/off switch
- LED with service life of 50,000 hours
- Constant color temperatures, transmitted-light filter

Phase contrast

- For all magnification levels between 5x and 63x
- For all Leica DM IL LED condensers
- No installation or adjustment required

Integrated Modulation Contrast (IMC)

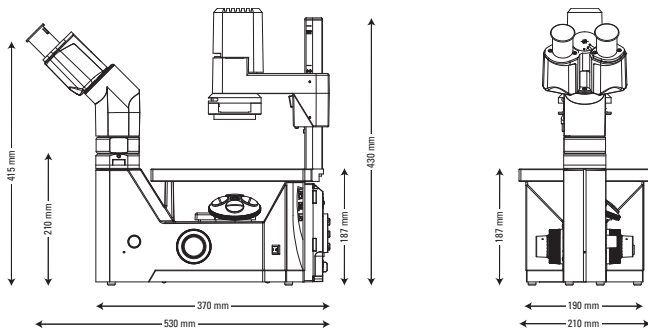
- For all magnification levels between 10x and 40x
- No special objectives required
- For all Leica DM IL LED condensers

Fluorescence

- Slider with three filter cubes with stray-light suppression
- Simultaneous use with transmitted-light contrasting
- Integrated shutter
- Fiber optic coupling (Leica EL6000)
- 50 W/100 W Hg illumination, fluorescence LED illumination (Leica SFL100)

Cost-effective and efficient

- Low energy costs
- No lamp replacement required
- Objectives and eyepieces are compatible with the research stands



www.leica-microsystems.com

Compact and stable

- Lean and sturdy design
- Plenty of room for operation
- Low stage height
- Large dimensions and low center of gravity of microscope
- Large working distances, condensers

Flexible and modular

- Different unheated and heated stages
- 3-plate stages
- Large number of tubes with and without photo port
- Full range of optical components
- Comprehensive application hardware can be adapted
- Contrasting techniques can be retrofitted
- External power supply unit

Wide variety of applications

- Cell biology, micromanipulation (injection, IVF, ICSI)
- Medicine, biotechnology, inspection of cell and tissue cultures
- Developmental biology, transgenics,
- Fluorescence applications such as GFP labeling, molecular biology

Outstanding optics

- HC optics, compatible with high-end components
- Field of view 20 mm

Ergonomics

- Simple and intuitive operation
- Variable viewing heights and stand heights
- All controls are easy to reach
- Unobstructed view of the specimen
- Revolving tubes

Leica
MICROSYSTEMS