

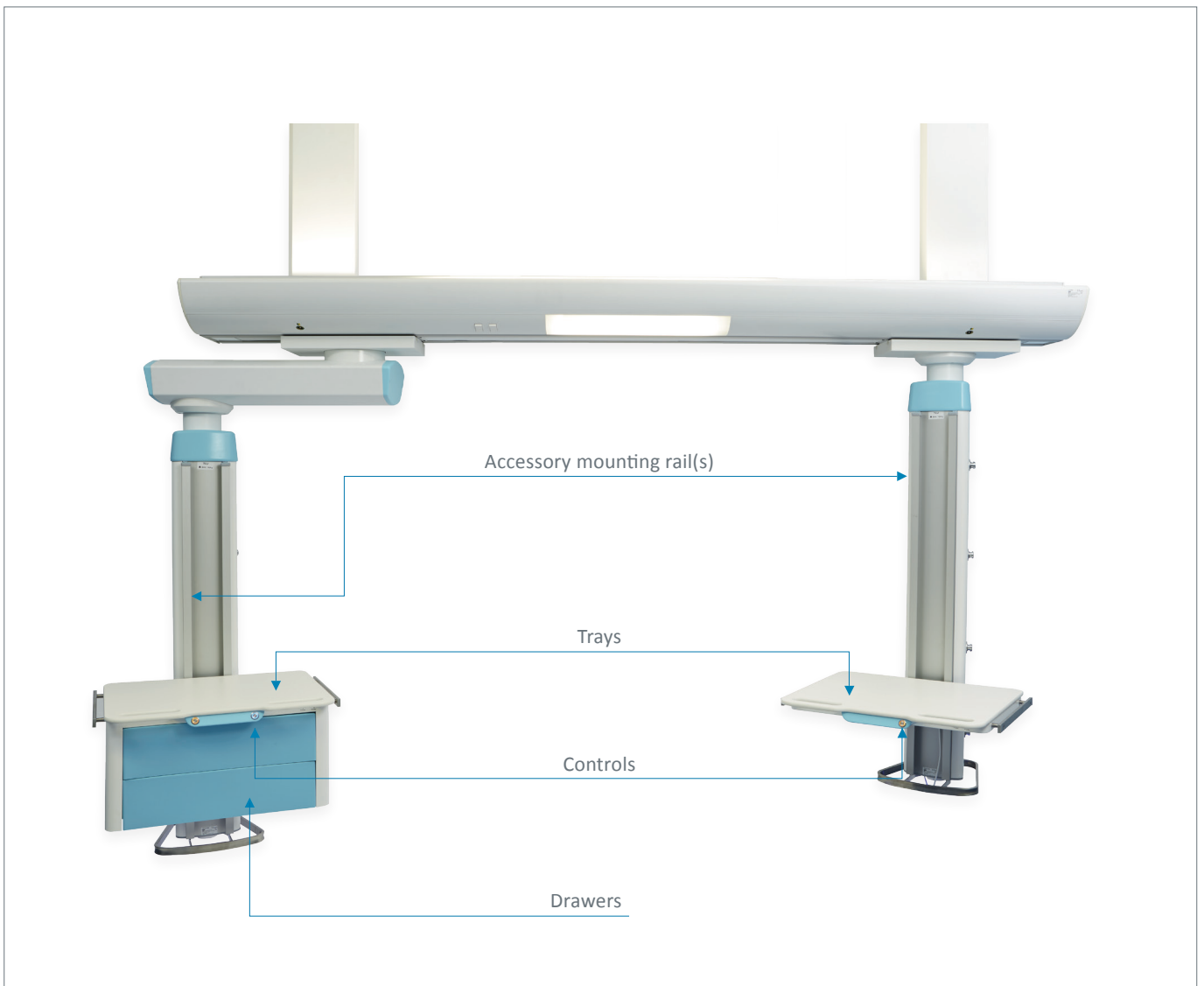


FUNCTIONALITY

The U-CARE suspended beam satisfies most of the requirements of healthcare professionals and offer comfort and safety when carrying biomedical devices and accessories.

It handles the distribution of medical gases and extra low/low voltage supplies in recovery rooms, intensive care units, resuscitation units, or other OT/ICU Resuscitation departments.

With its customized ergonomic configuration, it optimizes patient access, working conditions, and cleaning of treatment areas. With its modular design, it can adapt to the requirements of healthcare professionals.



EQUIPMENT

The U-CARE provides a biomedical equipment transportation system via shuttle or vertical tube along the whole length of the beam.

Integration of electrical equipment

The U-CARE beam cover is cut by water jet, providing a precise finish so that any kind of socket can be built into it. Devices are flush-mounted, for easy cleaning and disinfection of the beam.



Integration of gases

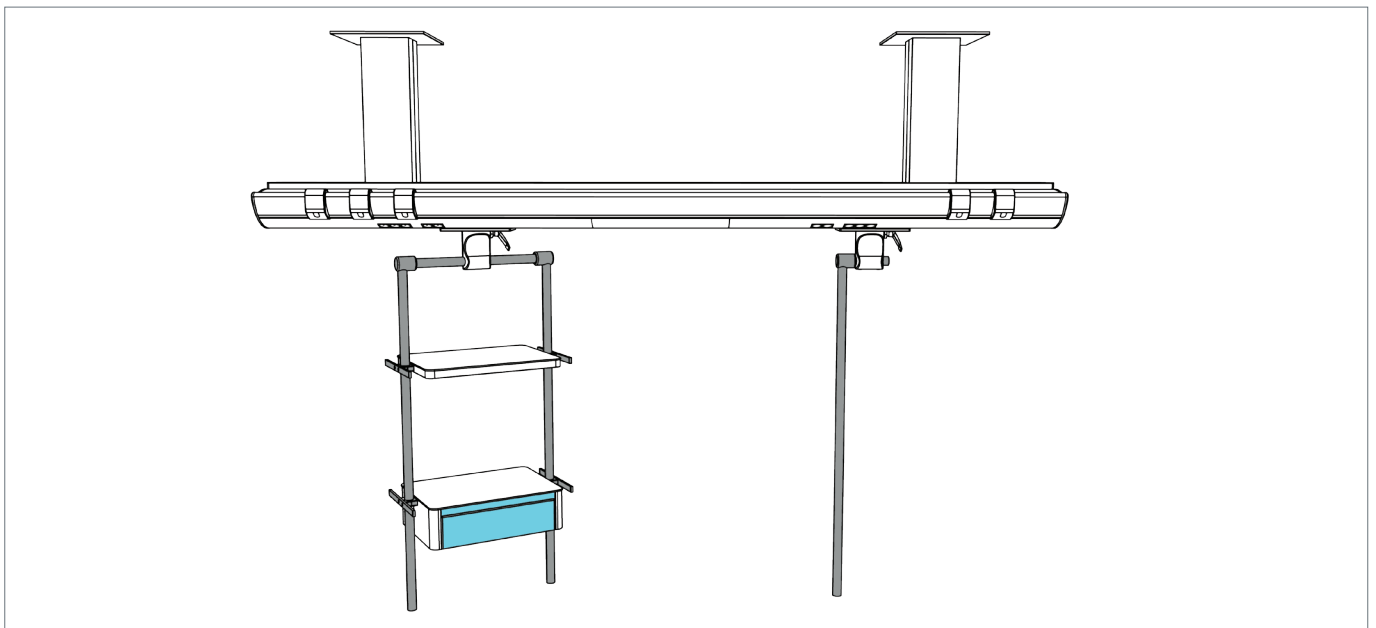
The ABS / PC gas casings, available with cover or without cover, allow any gas outlet to be installed (AFNOR, DIN, BS).

U-CARE with shuttles

Shuttles are equipped with a sliding trolley mounted on ball bearings. They have \varnothing 38 mm stainless steel tubes. They also come in a choice of 800 mm or 1500 mm in height, and their payload is 150 kg.

The shuttle translation and rotation locking system, through a handle, makes it easy and safe to manoeuvre the trolleys and the biomedical equipment.

According to the desired configuration, they can incorporate a trolley equipped with a tray/drawer unit or a vertical accessory support tube.



U-CARE with distribution box

To optimize the work area, this can be equipped with a distribution box mounted on a trolley or arm, according to your requirements.

Its sliding trolley mounted on ball bearings is equipped with a cable and hose control system allowing longitudinal displacement of 800 mm and electropneumatic braking of the translation movement.

Technical characteristics of boxes

Vertical

- Aluminum profile
- Equipped with three accessory mounting rails, 25 x 10 mm (two on the front panel and one on the back)
- Adjustable friction braking of rotation
- Optional LED position lighting located at the bottom



Horizontal

- RAL 9016 white lacquered steel body
- Equipped with two vertical \varnothing 38 mm accessory support tubes, 800 or 1500 mm long
- Adjustable friction braking of rotation



Characteristics of offset arm

- 500 mm extension
- Rotation with indexable stop every 15°
- Electropneumatic rotation braking system



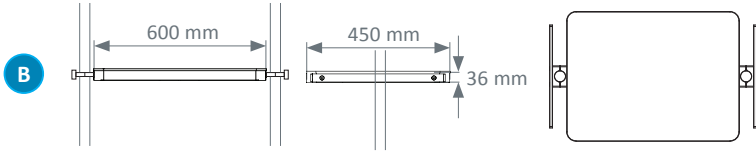
Controls with illuminated button

They are located on the front panel, allowing easy and ergonomic use of the arm rotation and translation system. They are engraved to allow intuitive operation of the box.

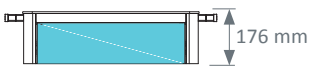


• Trays and drawers for horizontal box

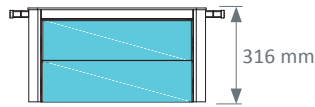
Trays



One drawer

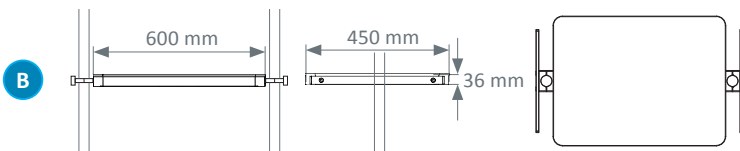
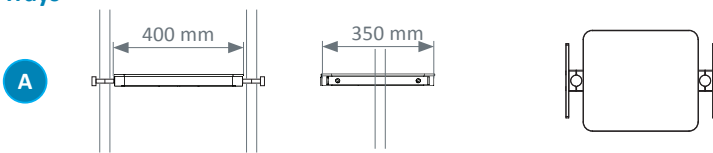


Two drawers

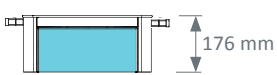


• Trays and drawers for vertical box

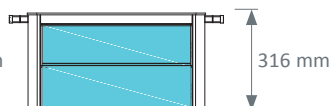
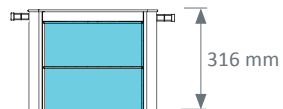
Trays



One drawer



Two drawers



Load table

	TRAY DIMENSION	LOAD MAX
A	400 x 350 mm	40 kg
B	600 x 450 mm	60 kg



EQUIPMENT

Integration of gases

The distribution boxes incorporate every type of gas outlet standard (DIN, BS, AFNOR).



Integration of electrical equipment

Waterjet cutting gives U-CARE's cover a precise, custom finish. This allows the possibility of integrating sockets and outlets of all different shapes. Electrical devices are flush-mounted, for easy cleaning and disinfection of the product.



Lighting

The U-CARE provides efficient general, reading, and caring lighting. The optics allow optimum control of the lighting, favouring the well-being of care teams and patients.

High-performance

Maximum reflectivity reflectors provide high Efficiency and concentrate the light on the surfaces to be lit.

Comfortable lighting

The Reading lighting has an anti-dazzle diffuser.

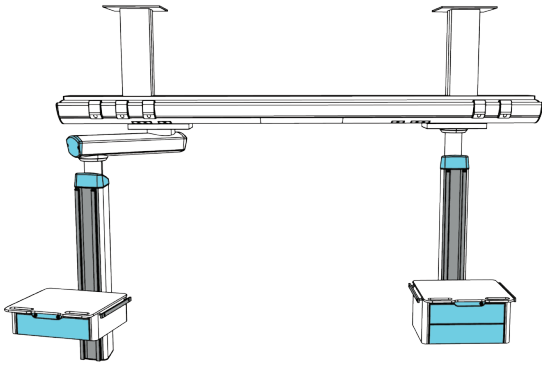
Controlled and directed lighting

The indirect lighting incorporates a prism diffuser to direct the light towards the middle of the room.

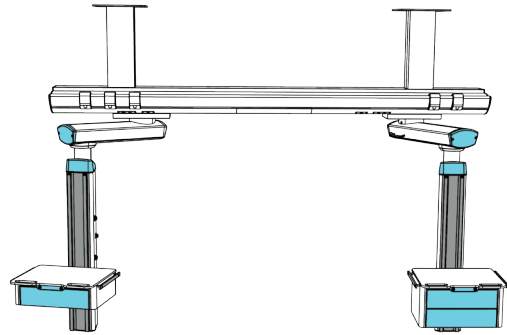
Lighting	Power	Types of source / Endsocket	Luminous Flux	Consumption	System Efficiency	Gear(s) / Driver(s)
General lighting	2 x 54 W	T5 / G5	9000 lm	118 W	76 lm/W	EVG / EVG Dimm / EVG Dimm Dali
	1 x 80 W	T5 / G5	6150 lm	86 W	71,5 lm/W	EVG / EVG Dimm / EVG Dimm Dali
	1 x 54 W	T5 / G5	4450 lm	61 W	73 lm/W	EVG / EVG Dimm / EVG Dimm Dali
	36,2 W (4 Ft)	LED*	5316 lm	41,6 W	128 lm/W	Fixe / 1-10 V / DALI
	45,2 W (5 Ft)	LED*	6645 lm	52 W	128 lm/W	Fixe / 1-10 V / DALI
Reading lighting	1 x 24 W	T5 / G5	1750 lm	27 W	65 lm/W	EVG / EVG Dimm / EVG Dimm Dali
	1 x 36 W	LC (lampe Fluo compacte) / 2G11	2900 lm	38 W	76 lm/W	EVG / EVG Dimm / EVG Dimm Dali
	18,1 W (2 Ft)	LED*	2658 lm	20,8 W	128 lm/W	Fixe / 1-10 V / DALI
Night light	1 x 7 W	LC (lampe Fluo compacte) / 2G11	400 lm	9 W	44,5 lm/W	EVG
	1 x 3,2 W	LED*	350 lm	5,2 W	67,5 lm/W	Fixe

CONFIGURATIONS

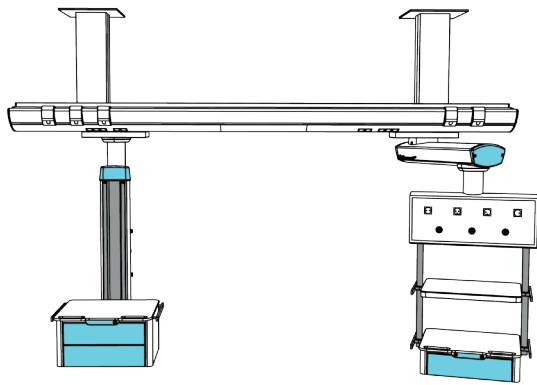
Vertical box configuration with and without extension arm



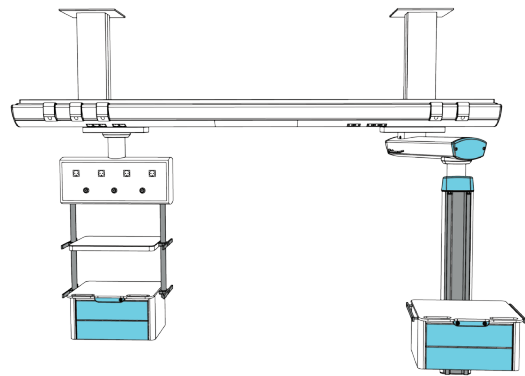
Vertical box configuration on extension arm



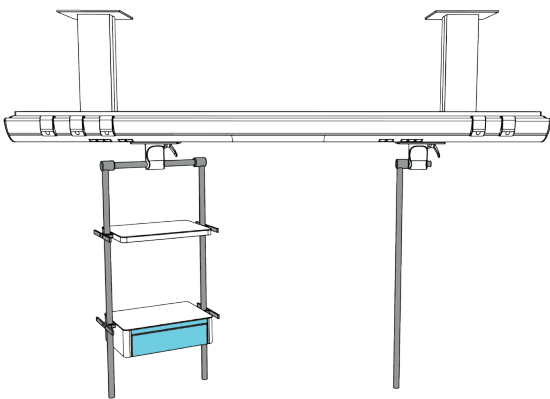
Vertical box and horizontal box configuration with extension arm



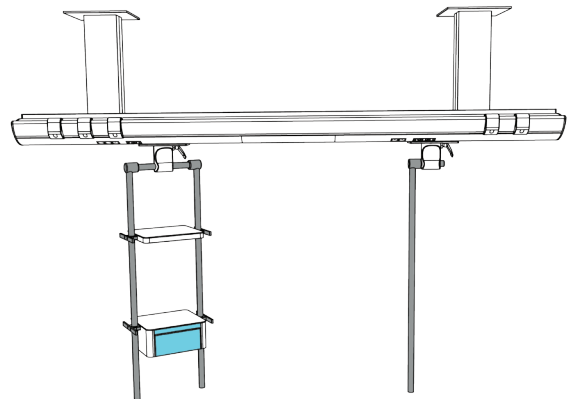
Horizontal box and vertical box configuration on extension arm



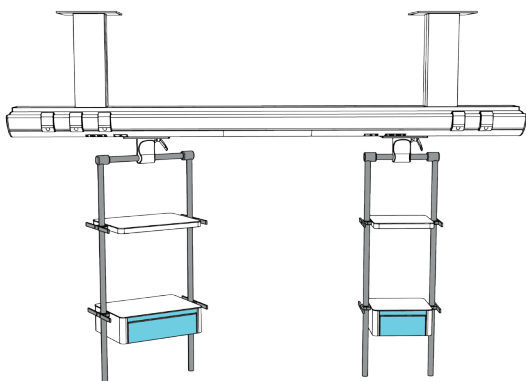
Shuttle and vertical equipment support tube configuration



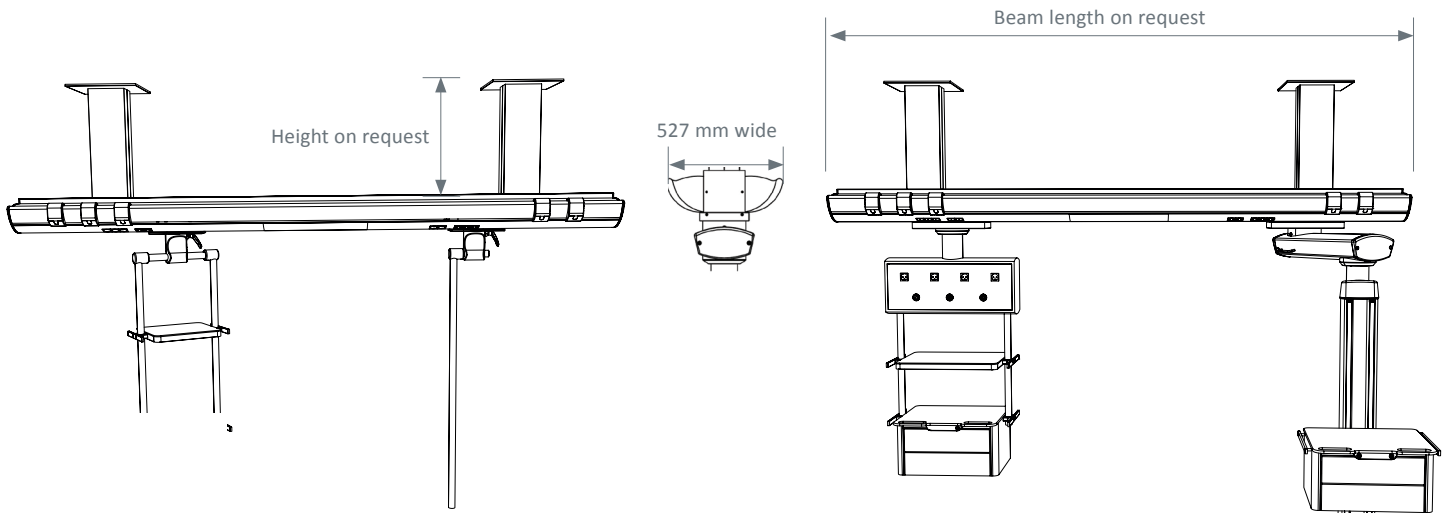
Shuttle and vertical equipment support tube configuration



Shuttle configuration



TECHNICAL CHARACTERISTICS



Ceiling mounted	Plenum anchoring measuring up to 1500 mm	
Suspended beam	Custom length (up to 5000 mm in single profile)	
Configuration	Shuttle or distribution box	
Length of offset arm	500 mm	
Height of vertical box	600 mm, 1200 mm and 1500 mm	
Horizontal box dimension	770 mm x 334 mm x 185 mm	
Rotations	Arm: 30 to 330°, stop indexing every 15°	
	Box: 30 to 330°	
Rotation braking	Box: Adjustable mechanism	
	Arm: electropneumatic	
Translation braking	Shuttle: mechanical	
	Box: electropneumatic	
Loading capacity*	Shuttle	150 kg
	Accessory support tube	90 kg
	Distribution box	120 kg
	Box on extension arm	90 Kg
Colors	White RAL 9016	

* The loading capacity is the maximum allowable load at the attachment point of the shuttle or distribution box. The weight of the box, trays, and accessories held by the box must therefore be subtracted from this value. That is why TLV states the acceptable weight on a label that can be seen on each box, rail, and tray, thus avoiding the risks of overload.

Norms & certifications

- EN ISO 9001 and EN ISO 13485: Quality management systems
- CE Medical Devices Marking according to 93/42/EEC Directive
- EN ISO 11197: Medical supply units
- EN ISO 7396-1: Medical gas pipeline systems - Part 1
- EN 60601-1: Medical electrical equipment - Part 1

Bed head units, Wall lighting units, Ceiling pendants, Suspended Beams & Columns,
Special care bed head units, Sealed lightings, Medical gas monitoring & Biomedical Accessories

