

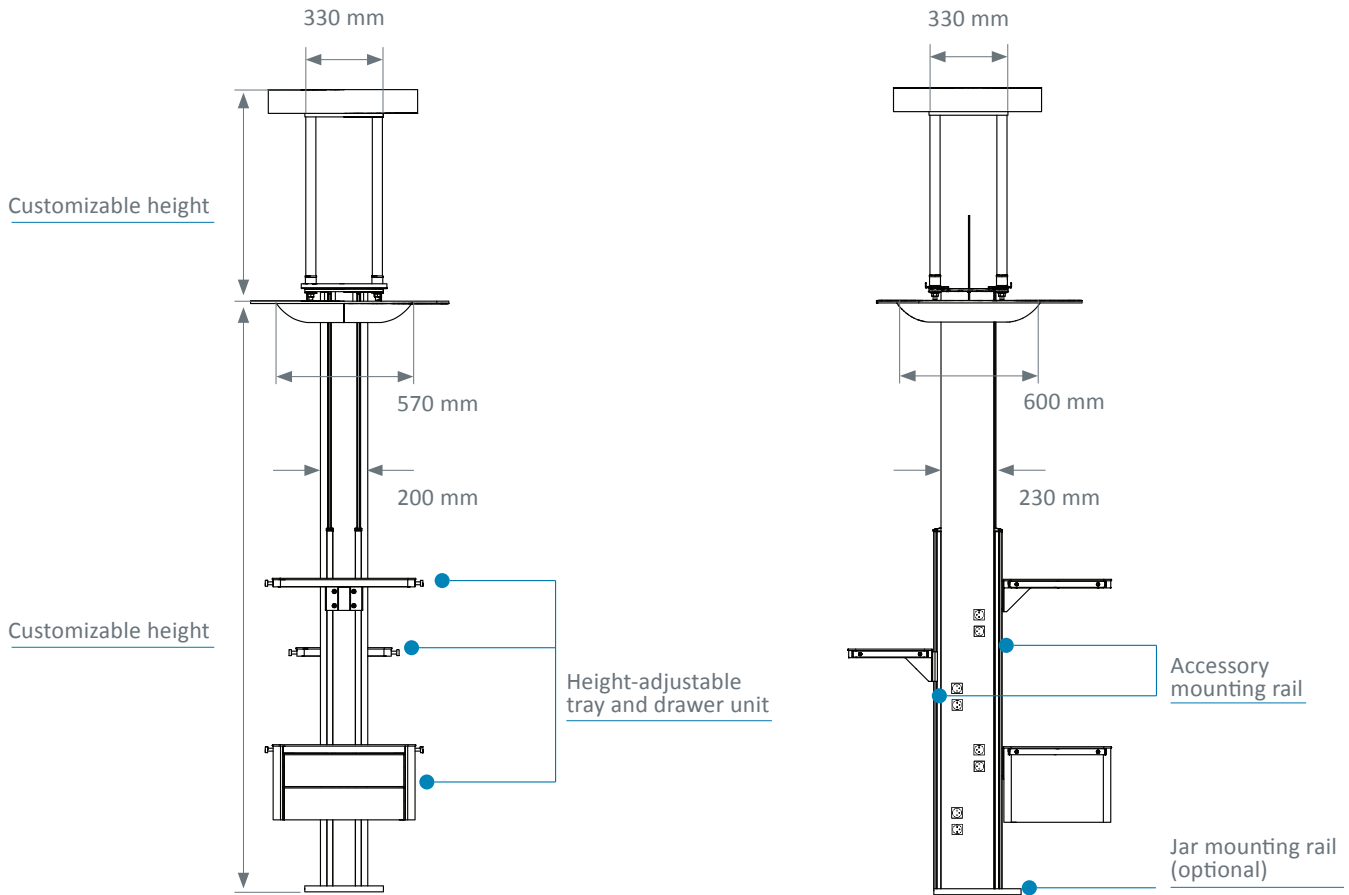
# MULTICARE EVOLUTION



# TECHNICAL CHARACTERISTICS

## Front view

## Side view



## Colors

	White RAL 9016
MULTICARE EVOLUTION	●

# EQUIPMENT

The MULTICARE EVOLUTION column is ideal for the distribution of medical gases and extra low/low voltage supplies in recovery rooms, intensive care units, resuscitation units, or other OT/ICU Resuscitation departments. Its ergonomics makes it adaptable to the treatment area and optimizes access to the patient and the care team's work area.

## Integration of electrical equipment

The MULTICARE EVOLUTION is cut by water jet, providing a precise, tailor-made finish so that connectors of any shape can be built into it. Electrical devices are flush-mounted, for easy cleaning and disinfection of the product.



## Integration of gases

The column incorporates every type of gas outlet standard (DIN, BS, AFNOR).



## Rails

The accessory mounting rails, located on the front and back, can accommodate several pieces of biomedical equipment.



The column can incorporate an optional jar support, located at the bottom.



# EQUIPMENT

The MULTICARE EVOLUTION column has a payload of 200 kg

## Trays and drawers

The trays are designed to comply with the strictest standards concerning hygiene and durability. Their surface is made of compact material with white core (HPL) or tempered glass. The tray units can accommodate one or two drawers made of antibacterial Kydex, and their height in the column is easy to adjust. The drawers have a «Push and Lock» handle-free opening system. They are removable for easy cleaning.

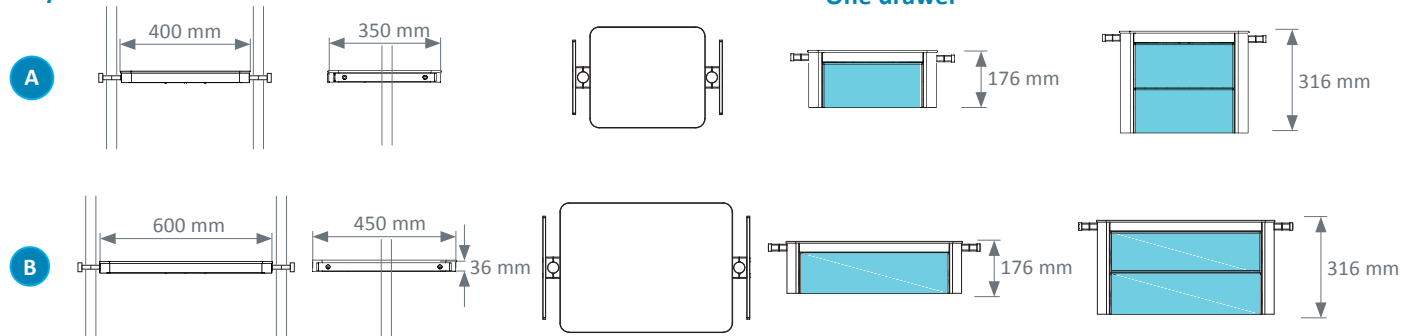


## Load table

	TRAY DIMENSION	LOAD MAX
<b>A</b>	400 x 350 mm	40 kg
<b>B</b>	600 x 450 mm	60 kg

## Shuttles

### Trays



## Optional equipment

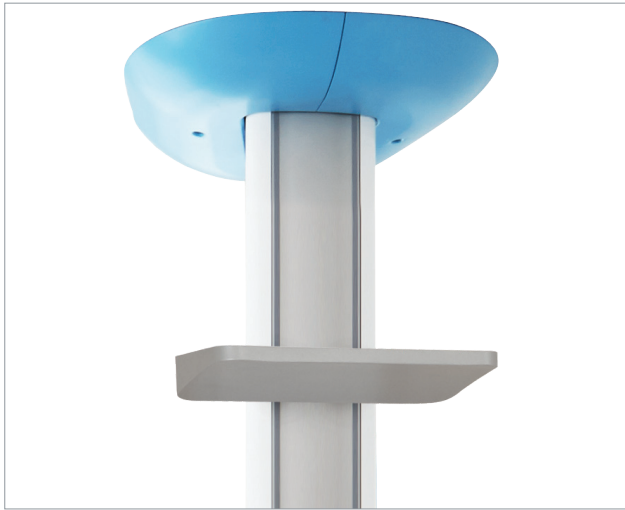
- Double-jointed mobile arm with maximum loading capacity 40 kg
- Distribution box, height 600 mm, equipped with two Ø38 x 600 mm stainless steel biomedical accessory support tubes  
Distributes extra-low/low voltage and medical gases.



## LIGHTING

The MULTICARE EVOLUTION column can incorporate the following optional equipment:

- LUMIA LED indirect lighting unit



- A FLEX-E LED spot reading light (white RAL 9016 or anodized)



- LED night light at the bottom (1.2 W, white or blue)



- Treatment or minor surgery lighting mounted on an articulated arm, with maximum travel 1330 mm



- Examination lighting mounted on an articulated arm, with maximum travel 1857 mm





## Norms & certifications

- EN ISO 9001 and EN ISO 13485: Quality management systems
- CE Medical Devices Marking according to 93/42/EEC Directive
- EN ISO 11197: Medical supply units
- EN ISO 7396-1: Medical gas pipeline systems - Part 1
- EN 60601-1: Medical electrical equipment - Part 1

Bed head units, Wall lighting units, Ceiling pendants, Suspended Beams & Columns,  
Special care bed head units, Sealed lightings, Medical gas monitoring & Biomedical Accessories

