



STRENGTHS

+ Easy maintenance

MEDIVA's separate compartment for medical gas provide quick and easy access for installation and maintenance.

The bed head unit can be installed quickly in just three steps, saving time and manpower.

+ Design & Ergonomics

MEDIVA's electrical devices are ideally positioned, with easy access for patients and care staff.

The bed head unit has smooth surfaces, making it easy to clean.

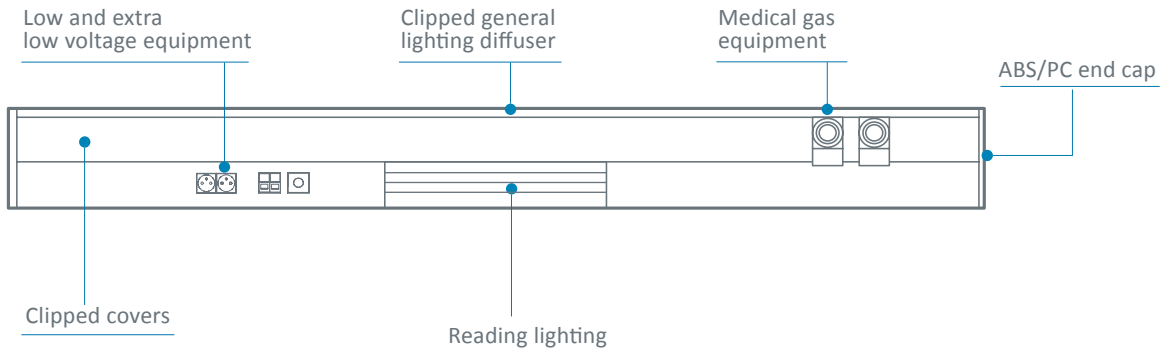
+ Personalisation

Panels are available in seven colours, to match with the decor of normal care rooms.

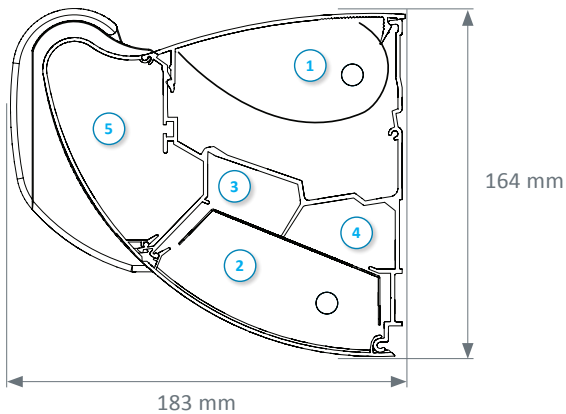


TECHNICAL FEATURES

Front view



Cross-section



- ① General and Night light compartment
- ② Reading lighting compartment
- ③ Low voltage compartment
- ④ Extra low voltage compartment
- ⑤ Medical gas compartment

Colours

	White RAL 9016	Grey RAL 9006
Aluminum profile	●	●
End caps	●	●

Seven panel colours, to match the MEDIVA with the decor of your normal care rooms.



FUNCTIONALITY

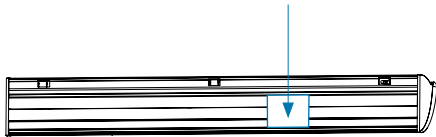
The MEDIVA bed head unit is entirely custom made, and provides comfortable, soothing indirect lighting for patients and care teams.

Power supply

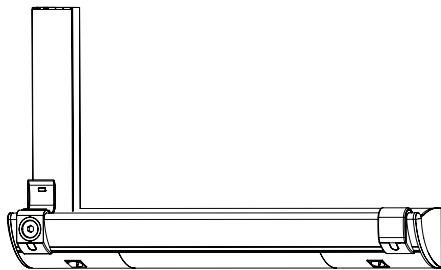
MEDIVA is designed to be fed:

- From behind (A), via a cut-out in the bed head unit
- From the ceiling, by a riser (B)
- From the side, through an extra duct (C)

A



B

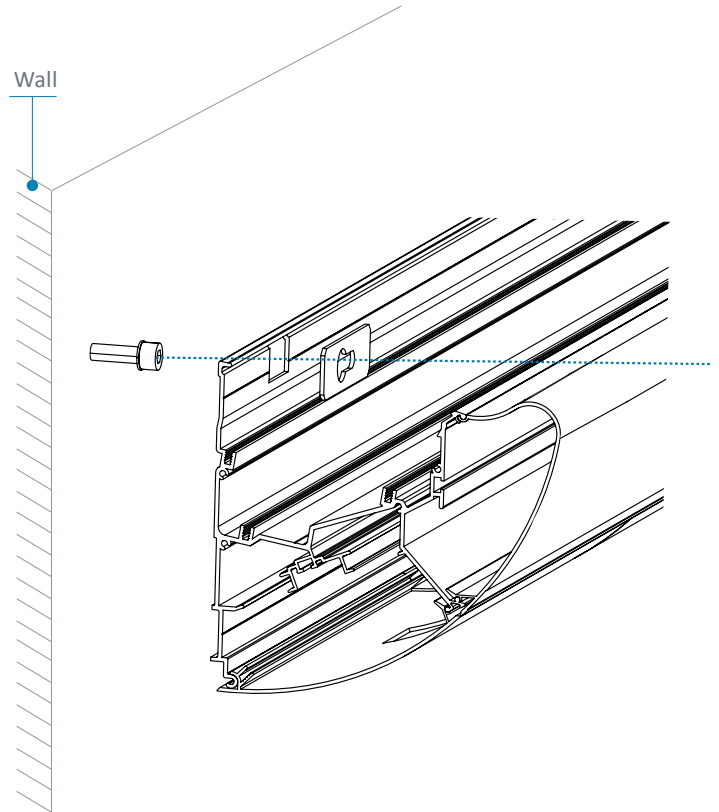


C



Installation

The MEDIVA is quick and easy to install thanks to its screw-mounting system via the back of the bed head unit.



Electrical equipment integration

The waterjet cutting of the MEDIVA's cover enables exact and customized cutting. It can integrate all forms of outlets. Flush mounting of electrical equipment enables easier cleaning and disinfection of the product.



Medical gas casing

The ABS / PC medical gas casing, available with flap (A) or without flap (B), allow any gas outlet to be installed (e.g.: AFNOR, DIN, BS, etc.).

A



B



CONTROLLED LIGHTING

The optics of the MEDIVA allow optimum control of the lighting, favouring the well-being of care teams and patients.

Efficient lighting

The reflectors provide high output and focus the light.

Comfortable lighting

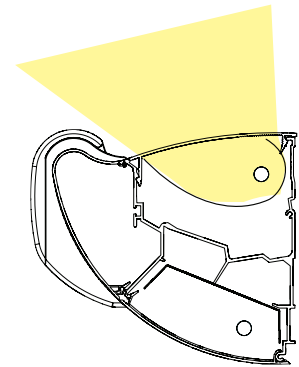
Reading lighting is provided with an anti glare effect diffuser.

Controlled and directed lighting

General lighting includes a diffuser with prism which directs the luminous flux toward the centre of the room.

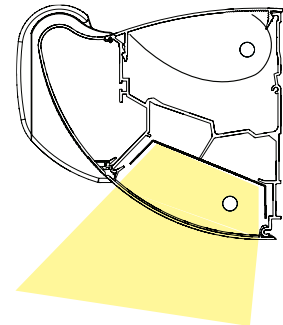
General lighting

- Extruded clear polycarbonate diffuser with asymmetric grooves and anti-UV treatment
- MIRO SILVER® (T5) and MIRO 20 SILVER® (LED) aluminium reflector



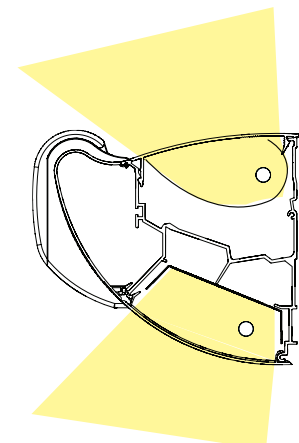
Reading lighting

- Extruded opal polycarbonate diffuser with anti-UV treatment
- MIRO SILVER® (T5) and MIRO 20 SILVER® (LED) aluminium reflector



Caring lighting

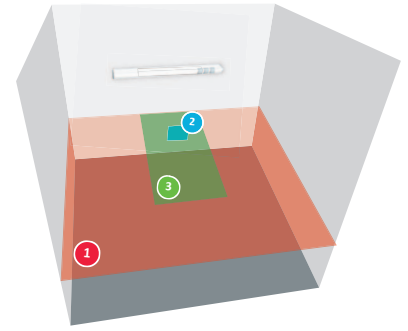
Caring lighting, combining direct (reading) and indirect (general) lighting, meets norms and standards.



EFFICIENT LIGHTING

Lighting study

- Standard room
- Dimensions of the room: 3 m x 3 m, ceiling clearance 2.5 m
- Reflection coefficients: ceiling 7, walls 5, and floor 3
- Coefficient of depreciation 0.83



	General lighting Virtual general lighting plane of a surface equal to the one of the room, located 0.85 m above the floor (3 m x 3 m for a single room).	Reading lighting Virtual reading plane 0.3 m x 0.3 m inclined at 75° located 1.1 m from the floor and 1 m from the wall where the light fitting is mounted.	Caring lighting Virtual examination plane 2 m x 0.9 m located 0.85 m from the floor, centred in width and 0.1 m from the wall.
FLUO	T5 1 x 54 W 	T5 1 x 24 W 	General and reading lighting combined
Consumption	61 W	27 W	88 W
Average lighting	119 lx	290 lx	354 lx
LED	4 Ft module 	2 Ft module 	General and reading lighting combined
Consumption	41,6 W -32%	20,8 W -23%	62,4 W -29%
Average lighting	129 lx	352 lx	439 lx

Lighting power

Lighting	Power	Types of source / Endsocket	Luminous Flux	Consumption	System Efficiency	Gear(s) / Driver(s)
General lighting	2 x 54 W	T5 / G5	9000 lm	118 W	76 lm/W	EVG / EVG Dimm / EVG Dimm Dali
	1 x 80 W	T5 / G5	6150 lm	86 W	71,5 lm/W	EVG / EVG Dimm / EVG Dimm Dali
	1 x 54 W	T5 / G5	4450 lm	61 W	73 lm/W	EVG / EVG Dimm / EVG Dimm Dali
	36,2 W (4 Ft)	LED*	5316 lm	41,6 W	128 lm/W	Fixe / 1-10 V / DALI
	45,2 W (5 Ft)	LED*	6645 lm	52 W	128 lm/W	Fixe / 1-10 V / DALI
Reading lighting	1 x 24 W	T5 / G5	1750 lm	27 W	65 lm/W	EVG / EVG Dimm / EVG Dimm Dali
	1 x 36 W	LC (lampe Fluo compacte) / 2G11	2900 lm	38 W	76 lm/W	EVG / EVG Dimm / EVG Dimm Dali
	18,1 W (2 Ft)	LED*	2658 lm	20,8 W	128 lm/W	Fixe / 1-10 V / DALI
Night light	1 x 7 W	LC (lampe Fluo compacte) / 2G11	400 lm	9 W	44,5 lm/W	EVG
	1 x 3,2 W	LED*	350 lm	5,2 W	67,5 lm/W	Fixe

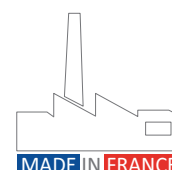
* Available in 3000 K or 4000 K (Night light only in 3000 K)



Norms & recommendations

- EN ISO 9001 and EN ISO 13485: Quality management systems
- CE Medical Devices Marking according to 93/42/EEC Directive
- EN ISO 11197: Medical supply units
- EN ISO 7396-1: Medical gas pipeline systems - Part 1
- European rules for caring centers lighting

Ceiling pendants, Suspended Beams & Columns, Bed head units / trunkings,
Sealed ceiling lightings, Medical gases monitoring & Biomedical Accessories



All specifications herein are provided for information purposes only and may be modified by TLV without notice.(B) - Update (JJ/MM/AA) - 20/05/15