

Wundspreizer, Bauchdeckenhalter – Self-Retaining Retractors, Abdominal Retractors

Bauchdeckenhalter

Abdominal Retractors

KUGELSCHNELLVERSCHLUSS

BALL SNAP CLOSURE



BV



BABY-COLLIN

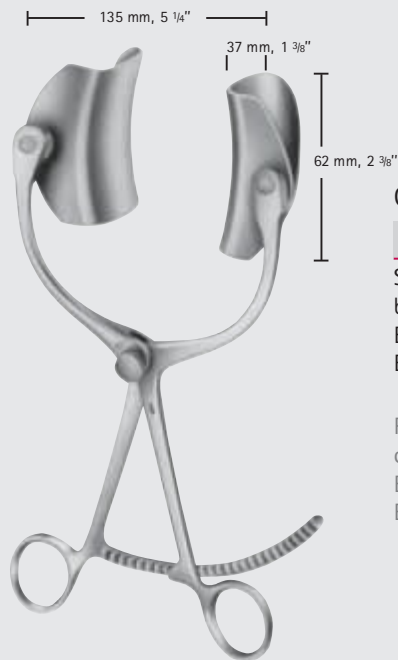
BV329R

Sperrer komplett,
bestehend aus:

- BV327R Sperrer allein
- BV326R Blätter (Paar)
18 x 42 mm
- BV328R Blätter (Paar)
28 x 42 mm

Retractor complete,
consisting of:

- BV327R Spreader only
- BV326R Blades (pair)
18 x 42 mm
- BV328R Blades (pair)
28 x 42 mm



COLLIN

BV530R

Sperrer komplett,
bestehend aus:

- BV520R Sperrer allein
- BV551R Blätter (Paar)

Retractor complete,
consisting of:

- BV520R Spreader only
- BV551R Blades (pair)



COLLIN

BV531R-BV533R

komplett

complete	BV531R	BV532R	BV533R
Sperrer allein	BV522R	BV523R	BV523R
Spreader only			
Seitl. Blätter (Paar)	BV551R	BV552R	BV553R
Lateral blades (pair)	37 x 62 mm	37 x 80 mm	37 x 98 mm
Mittelblatt	BV361R	BV362R	BV363R
Center blade	54 x 55 mm	54 x 67 mm	52 x 76 mm



COLLIN


BV535R-BV536R

komplett

complete	BV535R	BV536R
Sperrer allein	BV524R	BV524R
Spreader only		
Seitl. Blätter (Paar)	BV555R	BV554R
Lateral blades (pair)	48 x 59 mm	61 x 80 mm
Mittelblatt	BV338R	BV338R
Center blade	63 x 74 mm	63 x 74 mm



Wundspreizer, Bauchdeckenhalter – Self-Retaining Retractors, Abdominal Retractors

 KUGELSCHNELLVERSCHLUSS
BALL SNAP CLOSURE

Bauchdeckenhalter
Abdominal Retractors

BV

320 mm, 12 1/2"



RICARD

BV542R-BV543R

komplett		
complete	BV542R	BV543R
Sperrer allein	BV527R	BV527R
Spreader only		
Seitl. Blätter (Paar)	BV556R	BV557R
Lateral blades (pair)	58 x 80 mm	72 x 84 mm
Mittelblatt	BV366R	BV367R
Center blade	54 x 70 mm	72 x 90 mm

275 mm, 10 3/4"



HOLZBACH

BV545R

komplett		
complete		
Seitl. Blätter (Paar)	BV558R	
Lateral blades (pair)	59 x 80 mm	
Mittelblatt		BV369R
Center blade		74 x 82 mm



MILLIMETERS

Wundspreizer, Bauchdeckenhalter – Self-Retaining Retractors, Abdominal Retractors

Bauchdeckenvalven

Abdominal Blades



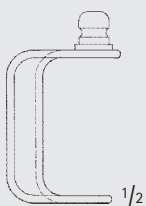
KUGELSCHNELLVERSCHLUSS
BALL SNAP CLOSURE

Bestelleinheit der Blätter: PAA = Paar

Sales unit of blades: PAA = pair

Seitliche Blätter allein

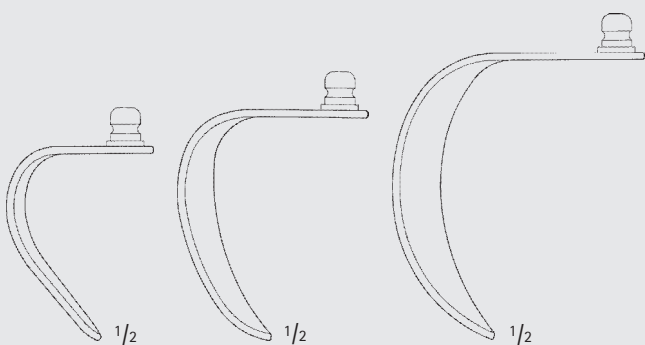
Lateral blades only



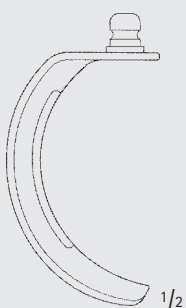
BV551R-BV553R



BV554R



BV555R-BV557R



BV558R



BV551R 37 x 62 mm

BV552R 37 x 80 mm

BV553R 37 x 98 mm



BV554R 61 x 80 mm



BV555R 48 x 59 mm

BV556R 58 x 80 mm

BV557R 72 x 84 mm



BV558R 59 x 80 mm

BV

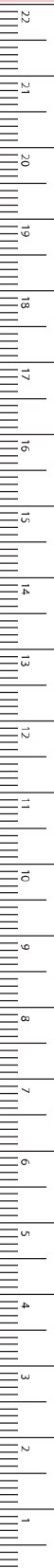




Wundspreizer, Bauchdeckenhalter – Self-Retaining Retractors, Abdominal Retractors

Bauchdeckenhalter
Abdominal Retractors

BV



110 mm, 4 3/8"

125 mm, 5"

115 mm, 4 1/2"

GOSSET
BV500R
Blätter: 38 mm tief
Blades: 38 mm deep

105 mm

120 mm

150 mm

HERTZLER
BV512R
Blätter 20 x 25 mm
Blades 20 x 25 mm

90 mm, 3 1/2"

125 mm, 5"

115 mm, 4 1/2"

BALFOUR-BABY
BV601R
Seitl. Blätter 27 mm tief
Mittelblatt BV602R 21 x 24 mm
Lateral blades 27 mm deep
Center blade BV602R 21 x 24 mm

125 mm, 5"

200 mm, 8"

170 mm, 6 3/4"

GOSSET
BV502R
Blätter: 55 mm tief
Blades: 55 mm deep

185 mm, 7 1/4"

175 mm, 7"

200 mm, 8"

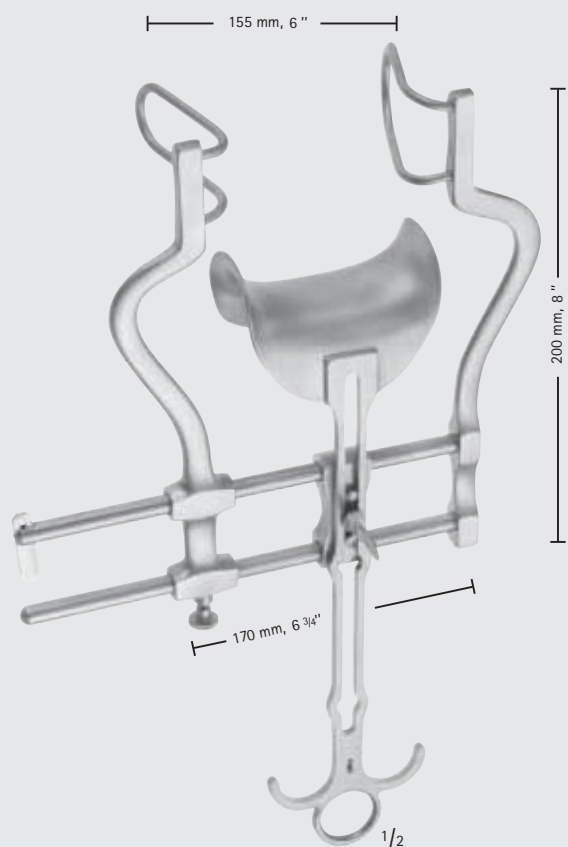
GOSSET
BV505R
Seitl. Blätter 58 mm tief
Mittelblatt BV506R 59 x 57 mm
Lateral blades 58 mm deep
Center blade BV506R 59 x 57 mm

Wundspreizer, Bauchdeckenhalter – Self-Retaining Retractors, Abdominal Retractors

Bauchdeckenhalter

Abdominal Retractors

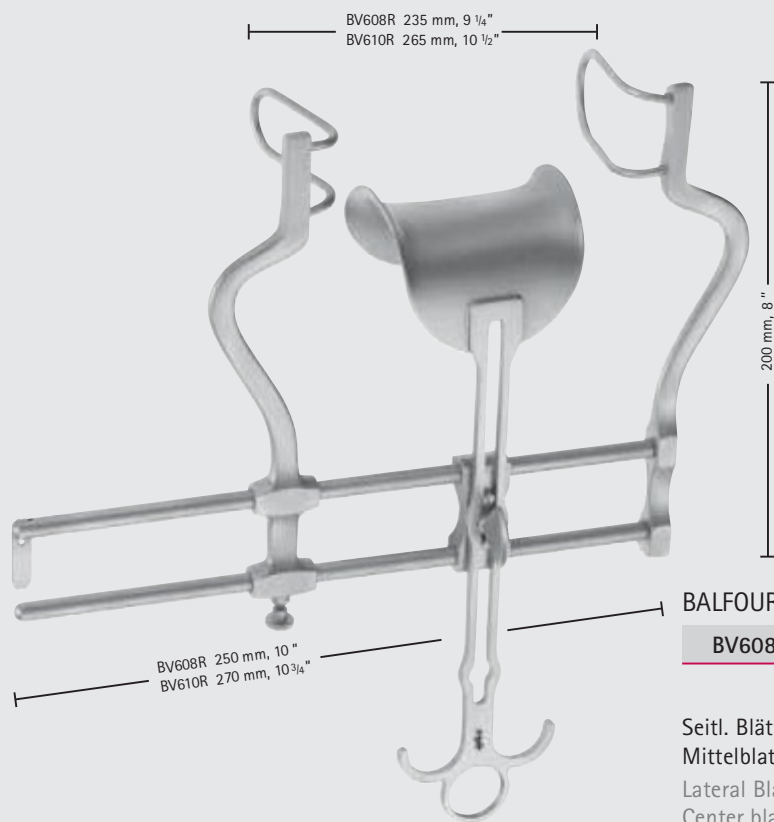
BV



BALFOUR

BV605R

Seitl. Blätter	60 mm tief
Mittelblatt	BV606R 47 x 80 mm
Lateral blade	60 mm deep
Center blade	BV606R 47 x 80 mm



BALFOUR

BV608R-BV610R

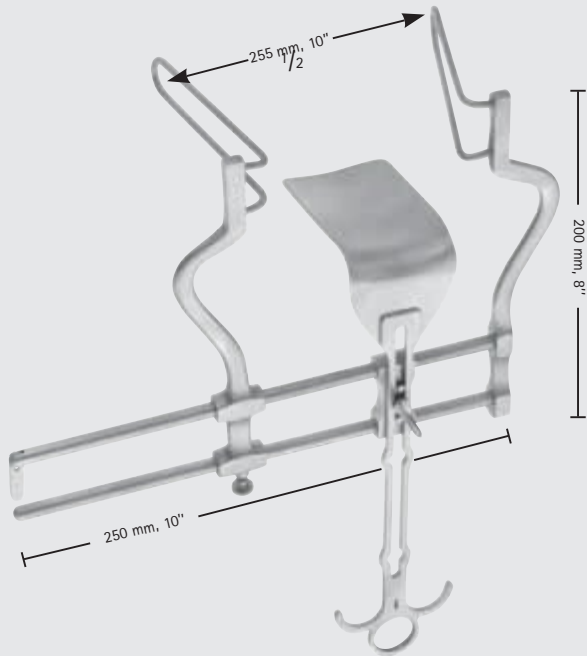
	BV608R	BV610R
Seitl. Blätter	60 mm tief	90 mm tief
Mittelblatt	BV609R 62 x 76 mm	BV611R 80 x 80 mm
Lateral Blades	60 mm deep	90 mm deep
Center blade	BV609R 62 x 76 mm	BV611R 80 x 80 mm



Wundspreizer, Bauchdeckenhalter – Self-Retaining Retractors, Abdominal Retractors

Bauchdeckenhalter
Abdominal Retractors

BV



BALFOUR

BV615R

- Seitl. Blätter 105 mm tief
- Mittelblatt BV616R 107 x 59 mm
- Lateral blades 105 mm deep
- Center blade BV616R 107 x 59 mm



BALFOUR

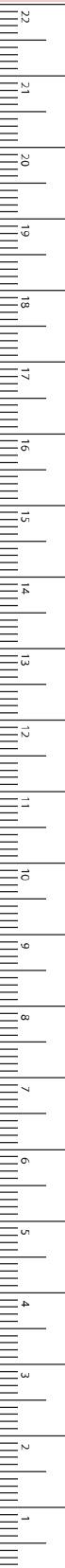
BV617R

- Mittelblatt allein
- Center blade only
- 54 x 80 mm



BV618R

- Mittelblatt, geschlitzt
- zur retropubischen Prostatektomie
- Center blade, slotted
- for retropubic prostatectomy
- 75 x 80 mm



MILLIMETERS

Wundspreizer, Bauchdeckenhalter – Self-Retaining Retractors, Abdominal Retractors

Bauchdeckenhalter

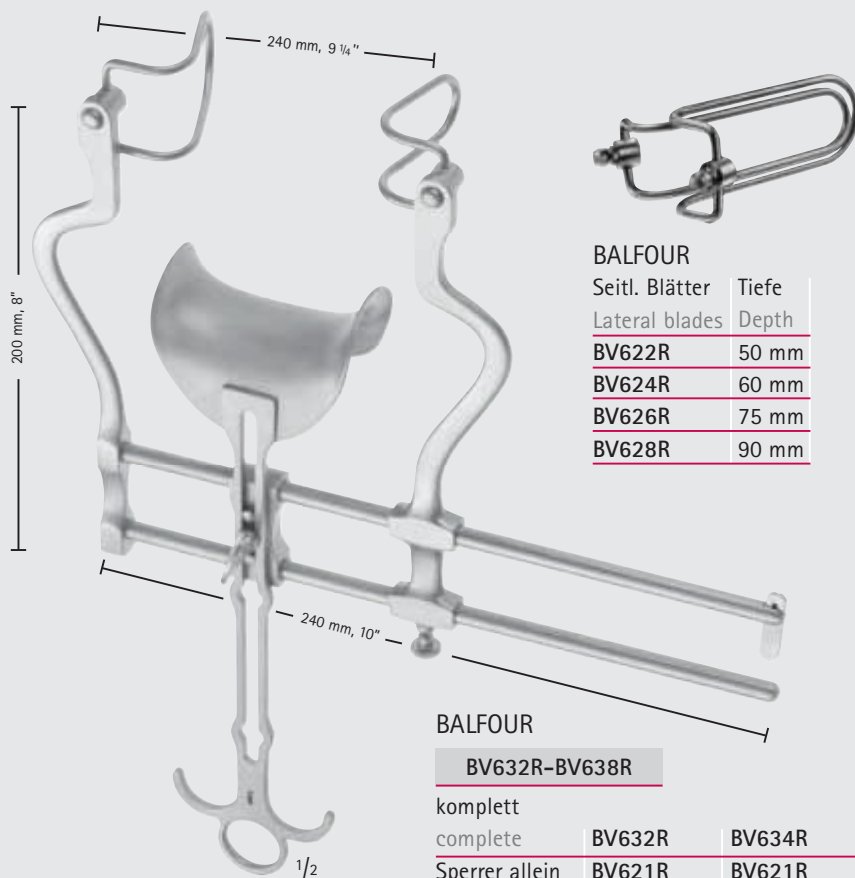
Abdominal Retractors



KUGELSCHNELLVERSCHLUSS
BALL SNAP CLOSURE

Bestelleinheit der Blätter: PAA = Paar

Sales unit of blades: PAA = pair



BALFOUR

Seitl. Blätter Lateral blades	Tiefe Depth
BV622R	50 mm
BV624R	60 mm
BV626R	75 mm
BV628R	90 mm

BALFOUR

BV632R-BV638R

komplett

complete	BV632R	BV634R	BV636R	BV638R
Sperrer allein Spreader only	BV621R	BV621R	BV621R	BV621R
Seitl. Blätter Lateral blades	BV622R 50 mm	BV624R 60 mm	BV626R 75 mm	BV628R 90 mm
Mittelblatt Center blade	BV606R 47 x 80 mm	BV609R 62 x 76 mm	BV611R 80 x 80 mm	BV611R 80 x 80 mm



GOLIGHER

BV640R

Bauchdeckenhalter komplett,
bestehend aus:

- Mittelblatt 51 mm tief
- Mittelblatt 102 mm tief
- Seitl. Blätter (Paar) 51 mm tief
- Seitl. Blätter (Paar) 102 mm tief

Abdominal retractor complete,
consisting of:

- Center blade 51 mm deep
- Center blade 102 mm deep
- Lateral blades (pair) 51 mm deep
- Lateral blades (pair) 102 mm deep



Wundspreizer, Bauchdeckenhalter – Self-Retaining Retractors, Abdominal Retractors

Bauchdeckenhalter
Abdominal Retractors

BV



O' SULLIVAN-O' CONNOR

US100

Bauchdeckenhalter komplett,
bestehend aus:

- US100 1 Bauchdeckenhalter
- US100201 2 Blätter
- US100202 1 Blatt

Abdominal retractor complete,
consisting of:

- US100 1 Retractor
- US100201 2 Blades
- US100202 1 Blade



O'SULLIVAN-O' CONNOER

US100201

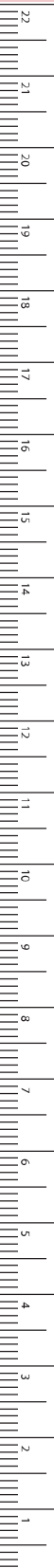
kleines Blatt
small blade



O'SULLIVAN-O' CONNOER

US100202

großes Blatt
large blade



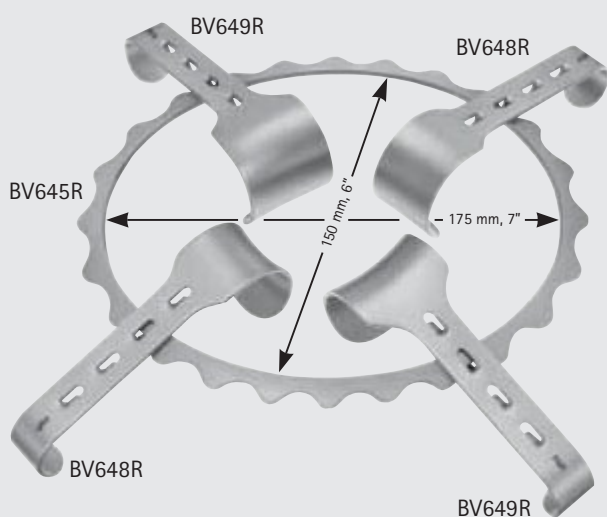
MILLIMETERS

Wundspreizer, Bauchdeckenhalter – Self-Retaining Retractors, Abdominal Retractors

Bauchdeckenhalter

Abdominal Retractors

Bauchdeckenhalter für Säuglinge und Kinder
Abdominal retractors for new-born and children



DENIS-BROWNE

BV650R

Bauchdeckenhalter komplett,
bestehend aus:

- BV645R 1 Rahmen 175 x 150 mm
- BV648R 2 Blätter allein 40 x 30 mm
- BV649R 2 Blätter allein 40 x 40 mm

Abdominal retractor complete,
consisting of:

- BV645R 1 frame 175 x 150 mm
- BV648R 2 blades only 40 x 30 mm
- BV649R 2 blades only 40 x 40 mm



DENIS-BROWNE

BV646R

Blatt allein
Blade only
20 x 30 mm



DENIS-BROWNE

BV647R

Blatt allein
Blade only
20 x 40 mm

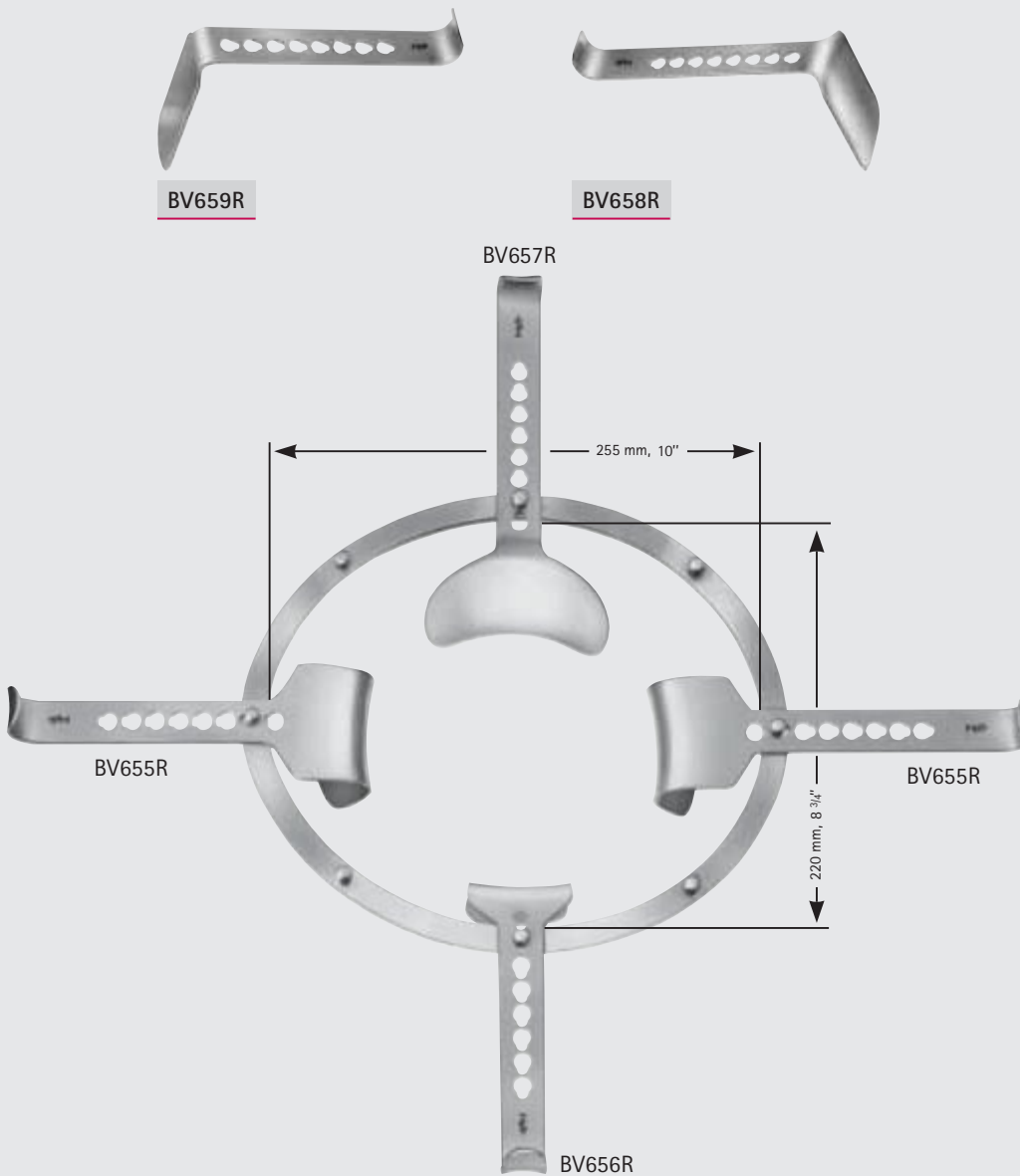


Wundspreizer, Bauchdeckenhalter – Self-Retaining Retractors, Abdominal Retractors

Bauchdeckenhalter
Abdominal Retractors

Bauchdeckenhalter für Gynäkologen gut geeignet
Abdominal retractors well suitable for gynaecologists

BV



SEMM

BV654R

Bauchdeckenhalter komplett,
bestehend aus:

- BV653R 1 Rahmen 255 x 220 mm
- BV655R 2 Blätter 46 x 64 mm
- BV656R 1 Blatt 53 x 54 mm (für die Blase)
- BV657R 1 Blatt 82 x 97 mm (für den Darm)
- BV658R 1 Blatt 98 x 51 mm (für den Darm)
- BV659R 1 Blatt schmal 107 x 36 mm

Abdominal retractor complete,
consisting of:

- BV653R 1 frame 255 x 220 mm
- BV655R 2 blades 46 x 64 mm
- BV656R 1 blade 53 x 54 mm (for bladder)
- BV657R 1 blade 82 x 97 mm (for intestine)
- BV658R 1 blade 98 x 51 mm (for intestine)
- BV659R 1 blade narrow 107 x 36 mm



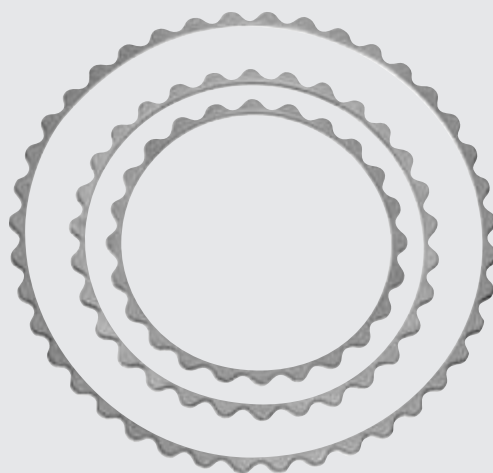
MILLIMETERS

Wundspreizer, Bauchdeckenhalter – Self-Retaining Retractors, Abdominal Retractors

Bauchdeckenhalter

Abdominal Retractors

BV



BV686R

ø 180 mm
diam 7"

BV687R

ø 230 mm
diam. 9"

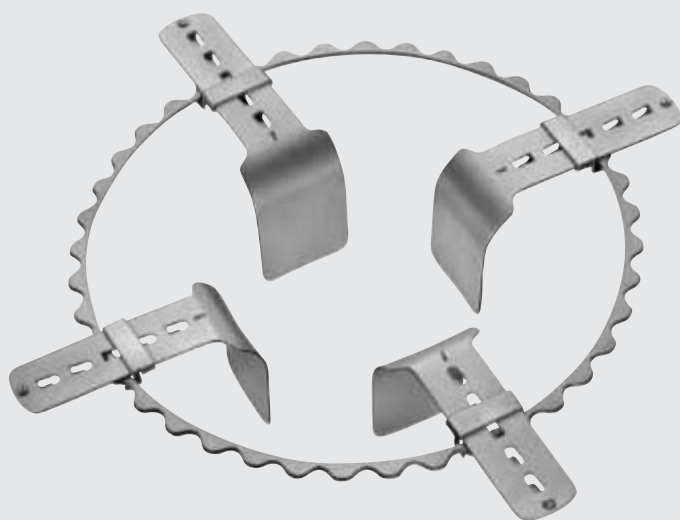
BV688R

ø 305 mm
diam. 12"

TURNER-WARWICK

BV686R

Bauchdeckenrahmen, rund
Retractor frame, round



TURNER-WARWICK

BV685R

Bauchdeckenhalter komplett,
bestehend aus:

- BV686R - BV688R je 1 Rahmen
- BV690R - BV693R je 2 Bauchdeckenspatel
- BV694R - BV695R je 2 Bauchdeckenhaken
- BV696R - BV697R je 2 Bauchdeckenhaken
- BV698R 2 Einzinkerhaken

Abdominal retractor complete,
consisting of:

- BV686R - BV688R 1 Frame of each
- BV690R - BV693R 2 Retractor blades of each
- BV694R - BV695R 2 Abdominal retractors of each
- BV696R - BV697R 2 Abdominal retractors of each
- BV698R 2 Retractor blade single hooks



TURNER-WARWICK

BV689R

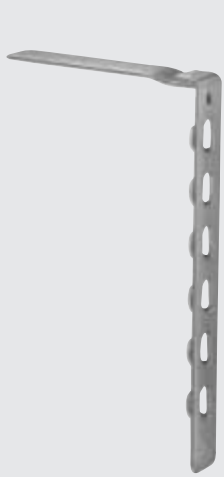
Bauchdeckenrahmen, oval
Retractor frame, oval
457 x 330 mm,



Wundspreizer, Bauchdeckenhalter – Self-Retaining Retractors, Abdominal Retractors

Bauchdeckenhalter
Abdominal Retractors

BV



BV690R

biegsam
malleable
76 x 19 mm



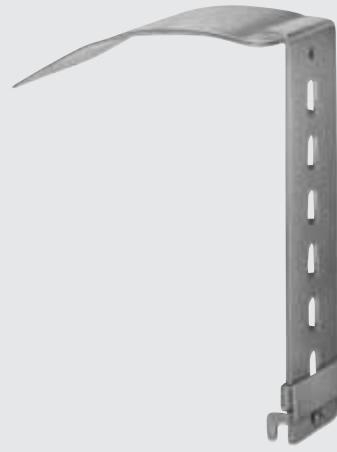
BV691R

biegsam
malleable
102 x 38 mm



BV692R

biegsam
malleable
89 x 57 mm



BV693R

biegsam
malleable
114 x 57 mm



BV694R

51 x 38 mm



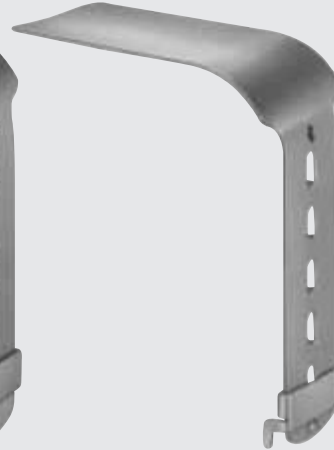
BV695R

76 x 60 mm



BV696R

89 x 60 mm



BV697R

114 x 60 mm



BV698R

13 mm tief
13 mm deep



MILLIMETERS

Wundspreizer, Bauchdeckenhalter – Self-Retaining Retractors, Abdominal Retractors

Bauchdeckenhalter

Abdominal Retractors

BV

250 x 250 mm, 10 x 10"

KIRSCHNER

BV662R

Bauchdeckenhalter komplett,
bestehend aus:

BV663R 1 Rahmen, zusammenlegbar

BV668R 2 Blätter

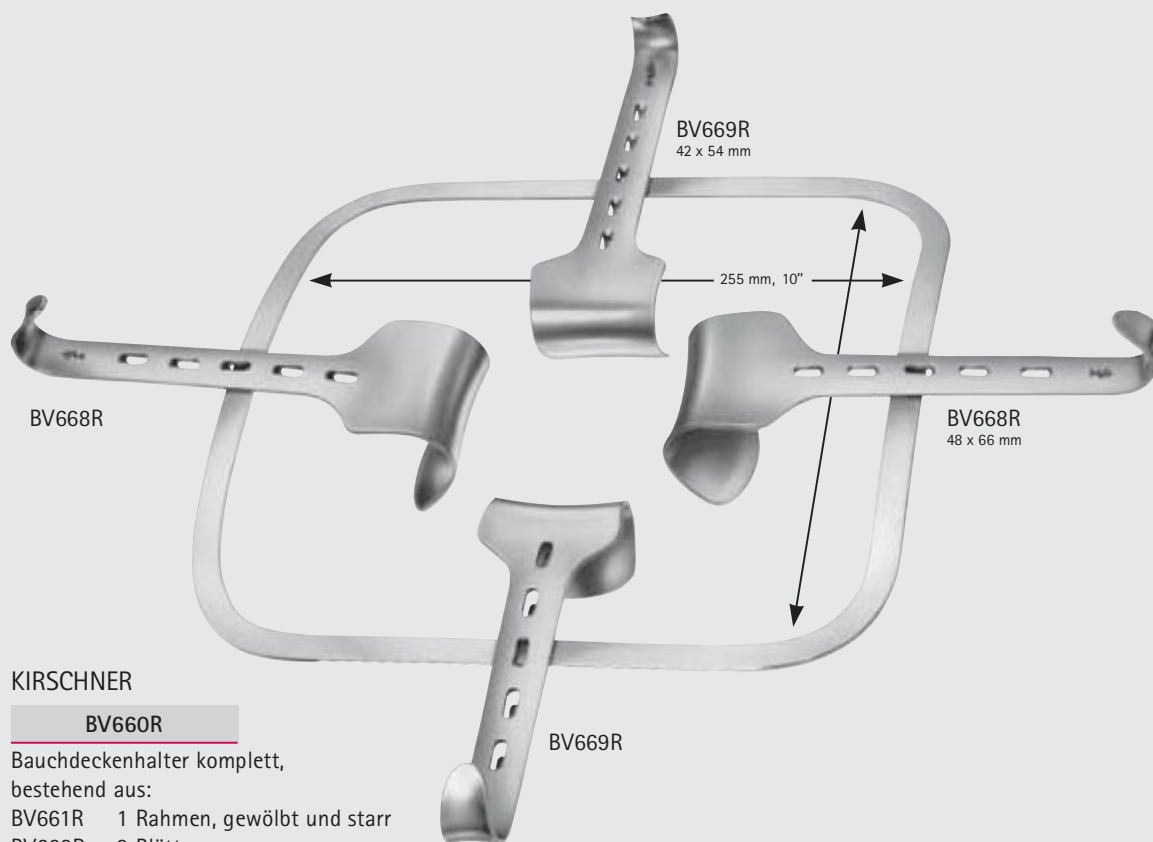
BV669R 2 Blätter

Abdominal retractor complete,
consisting of:

BV663R 1 Holding frame

BV668R 2 Blades

BV669R 2 Blades



KIRSCHNER

BV660R

Bauchdeckenhalter komplett,
bestehend aus:

BV661R 1 Rahmen, gewölbt und starr

BV668R 2 Blätter

BV669R 2 Blätter

Abdominal retractor complete,
consisting of:

BV661R 1 Vaulted fixed frame

BV668R 2 Blades

BV669R 2 Blades

KIRSCHNER

BV664R

Rahmen allein, übergroß

Frame only, over-sized

275 x 355 mm

KIRSCHNER

BV665R

Rahmen allein

Frame only

295 x 275 mm



Wundpreizer, Bauchdeckenhalter – Self-Retaining Retractors, Abdominal Retractors

Bauchdeckenhalter
Abdominal Retractors

Zusätzliche Blätter für Fettleibige
Additional valves for corpulent persons

BV



KIRSCHNER

BV670R

64 x 80 mm



KIRSCHNER-BALFOUR

BV672R

80 x 82 mm



KIRSCHNER

BV674R 90 x 69 mm

BV675R 95 x 95 mm

BV676R 78 x 58 mm

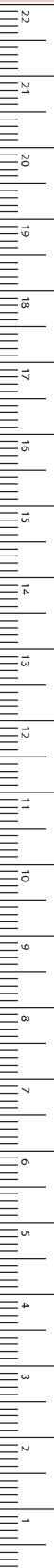


KIRSCHNER

BV680R 108 x 42 mm

BV682R 91 x 55 mm

BV684R 120 x 55 mm



MILLIMETERS